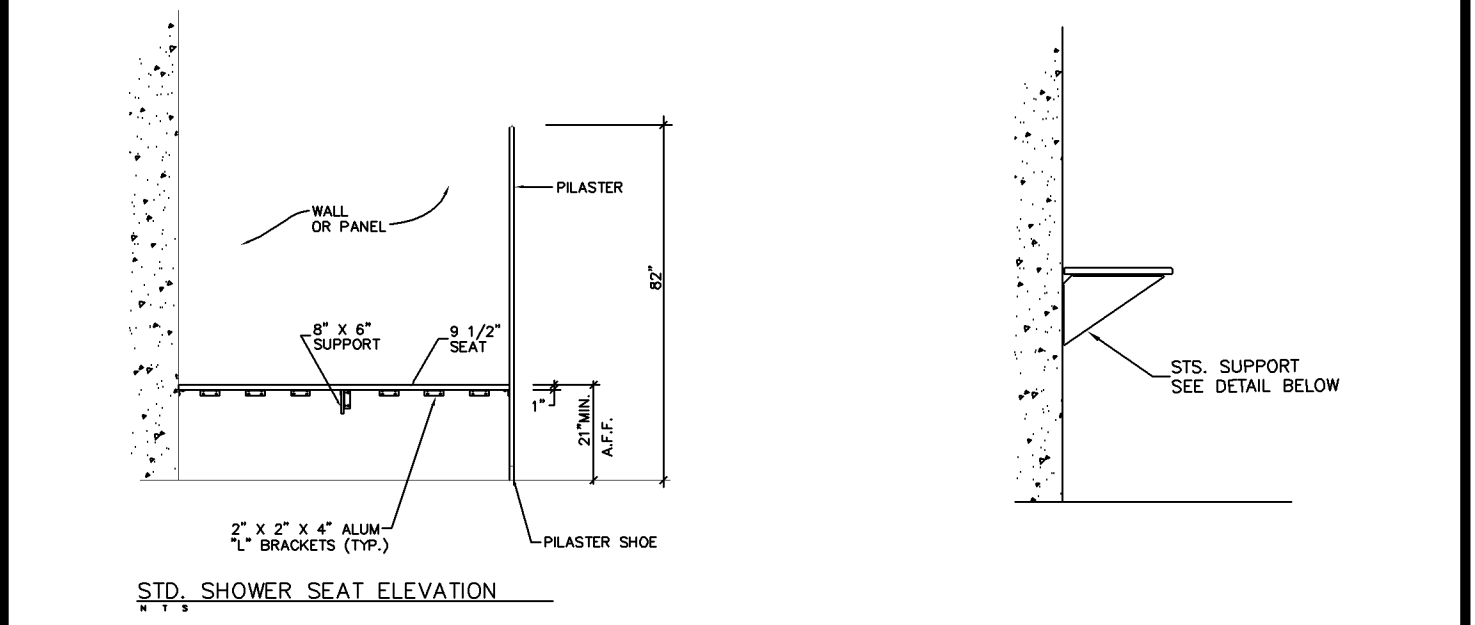


NOTES:

1. SEATS/SHELVES ARE MADE OF 1" PLASTIC.
2. 4" L BRACKETS WILL BE SUPPLIED FOR SEAT ATTACHMENTS.
3. 3/4" TORX SCREWS WILL BE USED AT ALL PLASTIC CONNECTIONS & 1 1/2" PHIL. W/ PLASTIC ANCHORS WILL BE USED AT ALL WALL CONNECTIONS.
4. SHOWER SEAT/SHELVE LENGTH WILL BE THE EXACT CLEAR DIMENSION UNLESS OTHERWISE NOTED ON SHOP DRAWING



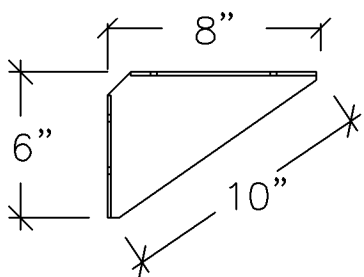
COMTEC / CAPITOL PARTITIONS INDUSTRIES

600 WINFIELD AVE. SCRANTON, PA. 18507 1(800)-445-5148

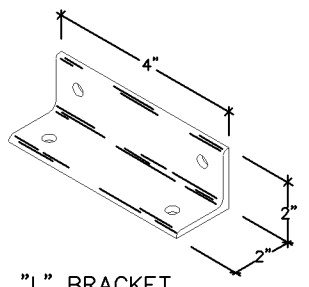
STANDARD ELEVATIONS
 (Drawings are not to scale)
 ELEVATION SHOW CONNECTION TO PILASTER AND WALL BUT SEATS CAN BE MOUNTED TO PANELS AS WELL AS FREE STANDING UNITS.

Note: "Job-Specific Specifications" for all orders are located on the top of the shop drawing layouts.

** HEATSINC NOTE: Heatsinc is to be placed on the bottom of the panels & doors. (If specified)*



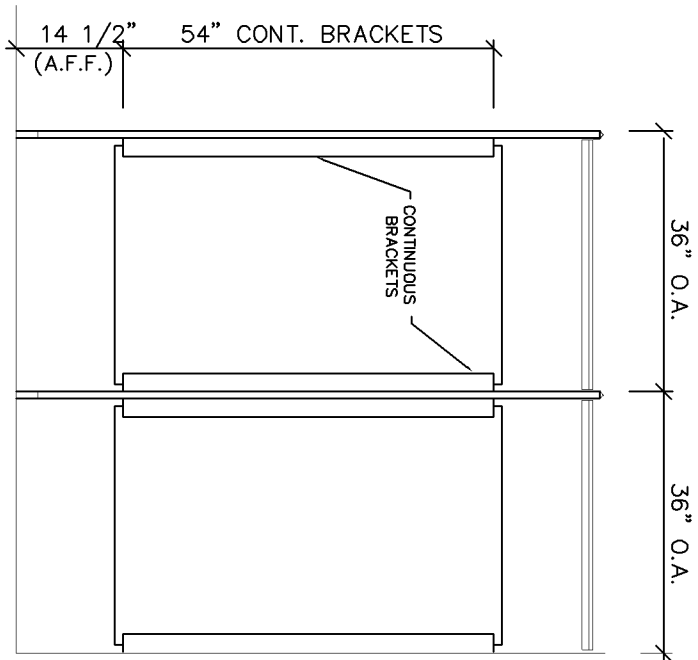
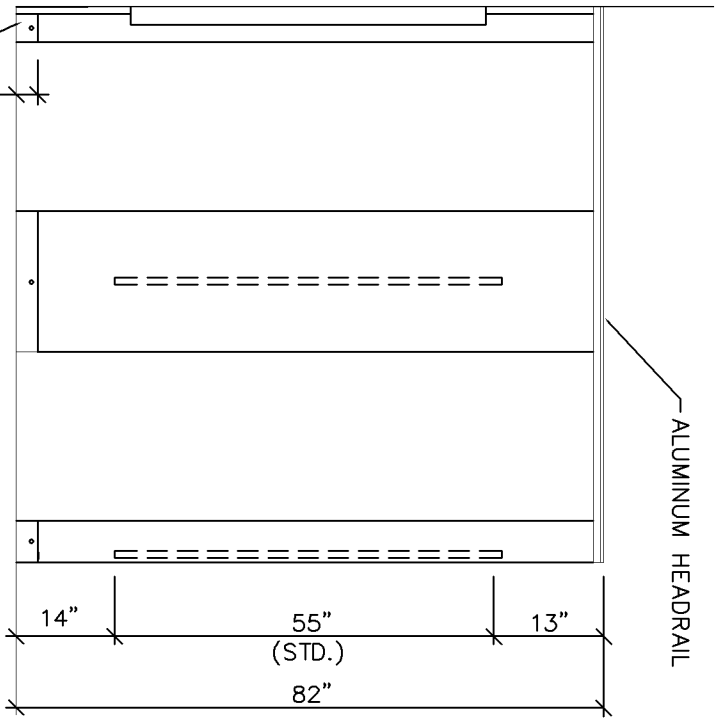
*SEAT SUPPORT



"L" BRACKET

*Plastic seat support maybe substituted pending inventory.

* CONTINUOUS BRACKETS



STD. FRONT ELEVATION
N T S

STD. SIDE ELEVATION
N T S

NOTES 1

1. ELEVATIONS SHOWN ARE FLOOR MOUNTED HEADRAIL BRACED USING CONTINUOUS BRACKETS .
2. NO SHOWER HOOKS WILL BE SUPPLIED UNLESS SPECIFIED FOR ALL SHOWER COMPARTMENT OPENINGS. SHOWER CURTAINS WILL BE SUPPLIED ONLY WHEN QUOTED WITH THE ORDER.

BOYD INDUSTRIES
801 COREY ST., MOOSIC, PA. 18507 (717)348-0997

CUSTOMER & JOB NAME:
SHOWER/DRESSING
ELEVATIONS

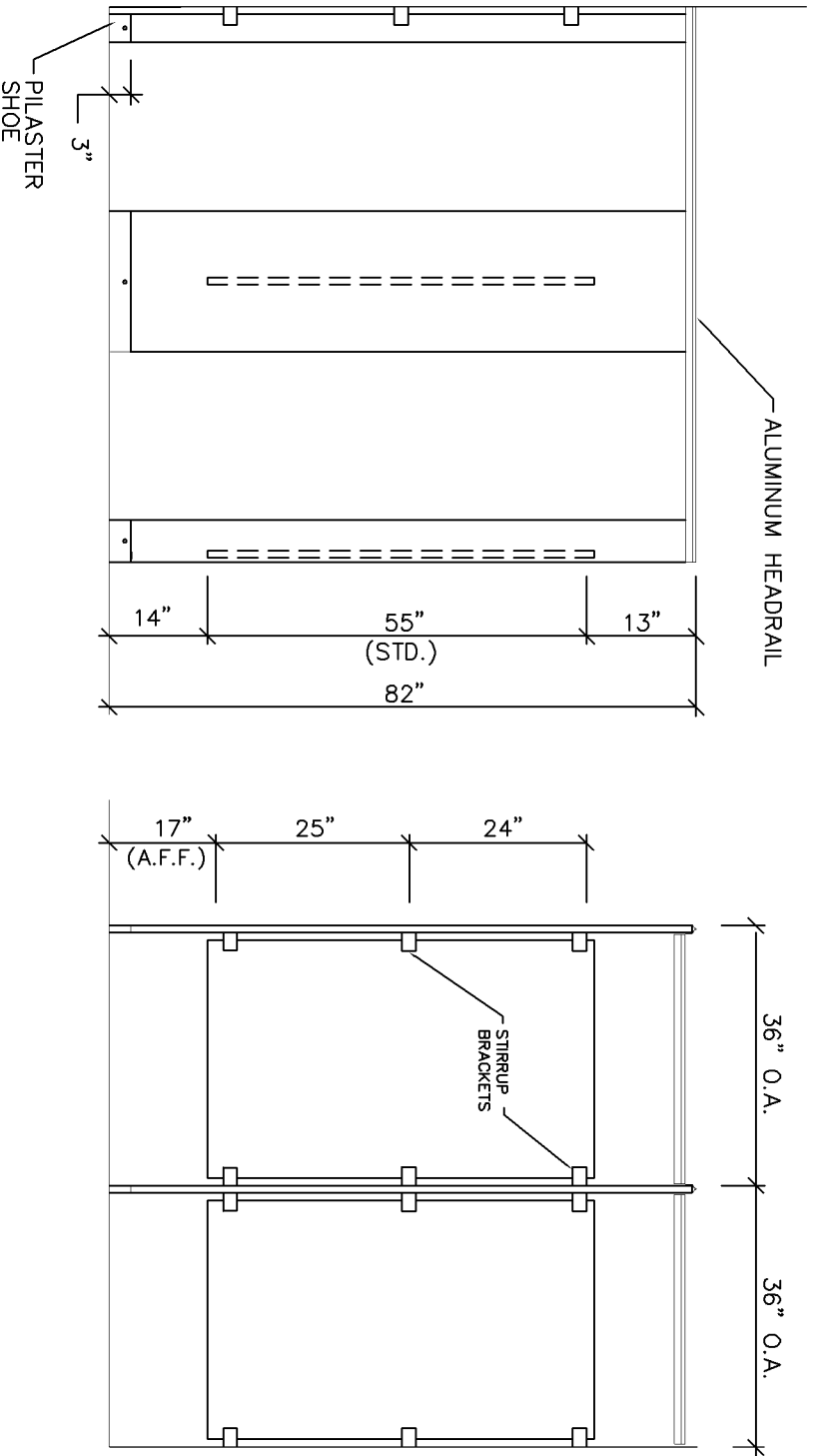
SCALE: N T S	COMTEC W.O.#
DATE:	CUST. P.O.#
DRAWN BY:	SHT. NO. OF

APPROVED	APPROVED AS NOTED
REVERSE & RESUBMIT	

REVISIONS:

- NOTES:
1. UPON APPROVAL OF THESE DRAWINGS, THIS ORDER SHALL BE SCHEDULED FOR FABRICATION.
 2. WHERE PLASTERS AND PANELS MEET THERE IS A 1/2" SPAC.
 3. WHEN THERE IS 1" SPACE WHEN THERE IS 1" SPACE.
 4. HEADRAIL SHALL BE CUT 2" LONGER THAN THE OVERALL DIMENSION AND CUT TO SIZE IN THE FIELD BY THE INSTALLER.

* STIRRUP BRACKETS



STD. FRONT ELEVATION
N T S

STD. SIDE ELEVATION
N T S

NOTES 1

- ELEVATIONS SHOWN ARE FLOOR MOUNTED HEADRAIL BRACED USING STIRRUP BRACKETS (THREE PER CONNECTION).
- NO SHOWER HOOKS WILL BE SUPPLIED UNLESS SPECIFIED FOR ALL SHOWER COMPARTMENT OPENINGS. SHOWER CURTAINS WILL BE SUPPLIED ONLY WHEN QUOTED WITH THE ORDER.

BODIN INDUSTRIES
801 COREY ST., MOOSIC, PA. 18507
(717)348-0997

CUSTOMER & JOB NAME:
SHOWER/DRESSING
ELEVATIONS

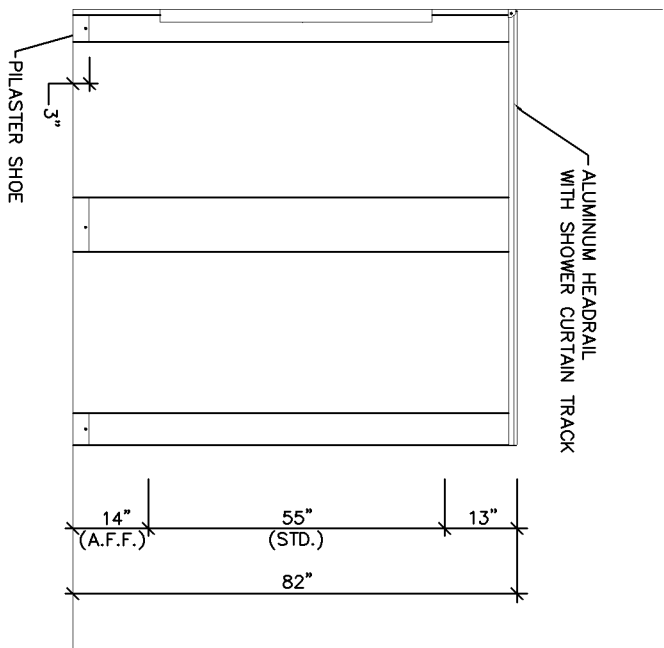
SCALE: N T S	COMTEC W.O.#
DATE:	QUST. P.O.#
DRAWN BY:	SHT. NO. OF

APPROVED	APPROVED AS NOTED
REVERSE & RESUBMIT	

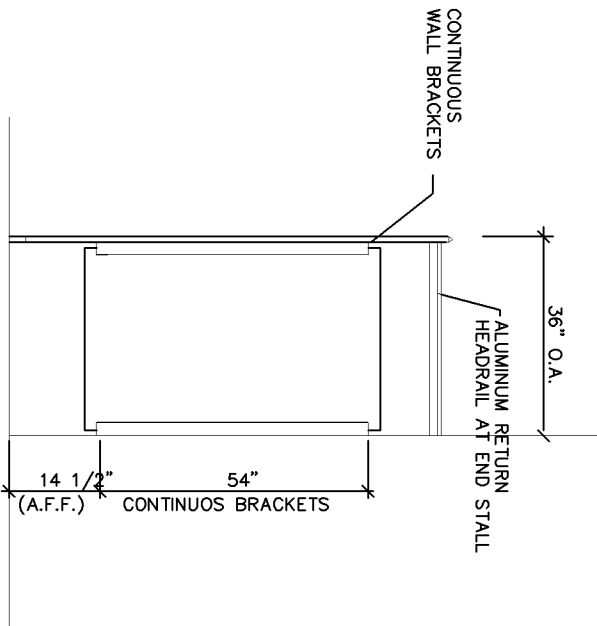
REVISIONS:

NOTES:
1. UPON APPROVAL OF THESE DRAWINGS, THIS ORDER SHALL BE SCHEDULED FOR FABRICATION.
2. WHERE PLASTERS AND PANELS MEET THERE IS A 1/2" SPACE.
3. WHEN THERE IS A 1" SPACE BETWEEN PANELS AND/OR PANELS MEET A 1/2" SPACE.
4. HEADRAIL SHALL BE CUT 2" LONGER THAN THE OVERALL DIMENSION AND CUT TO SIZE IN THE FIELD BY THE INSTALLER.

*FOR REFERENCE ONLY



STD FRONT SHOWER ELEV.
SCALE: NTS



STD. SIDE ELEVATION
SCALE: NTS

NOTES: 1

1. ELEVATIONS SHOWN ARE FLOOR MOUNTED HEADRAIL-BRACED USING CONTINUOUS WALL - BRACKETS.
2. NO SHOWER CURTAIN HOOKS WILL BE SUPPLIED UNLESS SPECIFIED FOR ALL SHOWER COMPARTMENT OPENINGS SHOWER CURTAINS WILL BE SUPPLIED ONLY WHEN QUOTED WITH THE ORDER.
3. ELEVATIONS SHOW SHOWER AND DRESSING COMPARTMENTS FOR INSTALLATION FOR A FLOOR DRAIN STYLE SHOWER. NO TERRAZZO SHOWER BASES ARE REQUIRED WITH THIS STYLE.
4. PLASTIC BRACKETS AND SHOES CANNOT BE SUPPLIED WITH CLASS "A" MATERIAL. ONLY ALUMINIUM CONTINUOUS WALL BRACKETS AND STAINLESS STEEL SHOES WILL BE SUPPLIED.

NOTES:

1. DOORS LARGER THAN 30" ARE TO BE SET TO THE CLOSED POSITION.
2. WHERE PILASTERS AND PANELS MEET THERE IS A 1/2" SPACE.
3. WHERE PILASTERS AND/OR PANELS MEET A WALL THERE IS A 1" SPACE.
4. HEADRAIL SHALL BE CUT 2" LONGER THAN THE OVERALL DIMENSION, AND CUT TO SIZE IN THE FIELD BY THE INSTALLER.



801 COREY ST., MIDDISC, PA. 18507

(570)348-0997

CUSTOMER & JOB NAME:

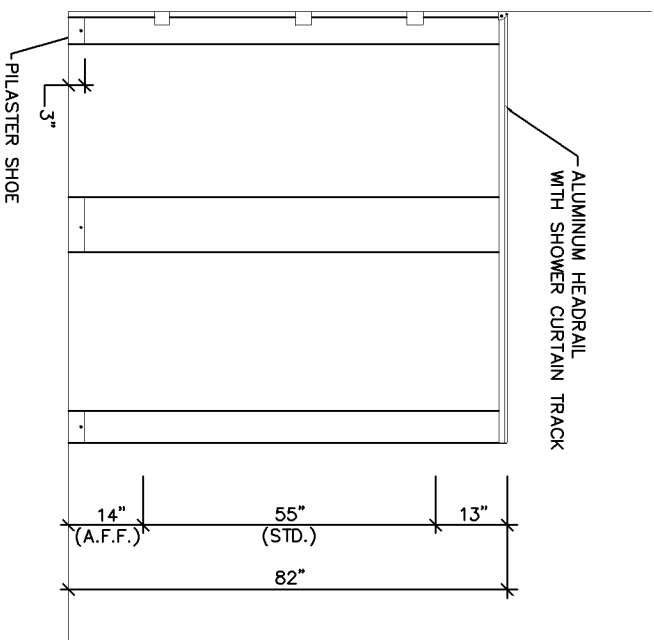
HEADRAIL BRACED SHOWERS

COMTEC W.O.#

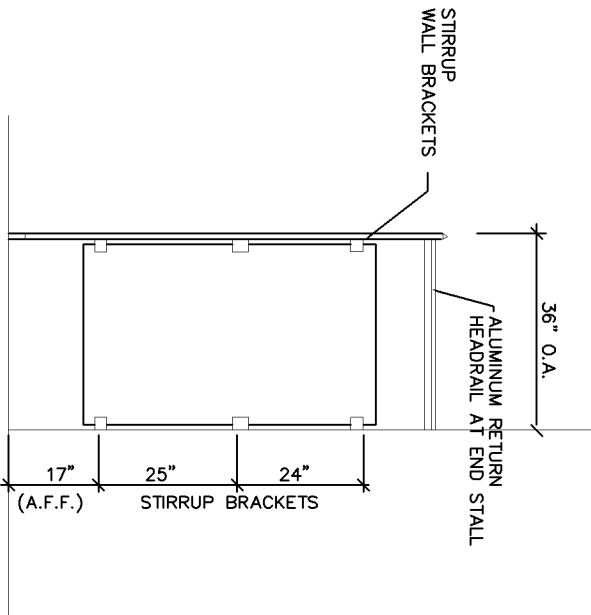
CUST. P.O.#

SHT. NO.:
OF

***FOR REFERENCE ONLY**



STD FRONT SHOWER ELEV.
SCALE: NTS



STD. SIDE ELEVATION
SCALE: NTS

NOTES 1

1. ELEVATIONS SHOWN ARE FLOOR MOUNTED HEADRAIL-BRACED USING STIRRUP WALL - BRACKETS.
2. NO SHOWER CURTAIN HOOKS WILL BE SUPPLIED UNLESS SPECIFIED FOR ALL SHOWER COMPARTMENT OPENINGS
SHOWER CURTAINS WILL BE SUPPLIED ONLY WHEN QUOTED WITH THE ORDER.
3. ELEVATIONS SHOW SHOWER AND DRESSING COMPARTMENTS FOR INSTALLATION FOR A FLOOR DRAIN
STYLE SHOWER. NO TERRAZZO SHOWER BASES ARE REQUIRED WITH THIS STYLE.
4. PLASTIC BRACKETS AND SHOES CANNOT BE SUPPLIED WITH CLASS "A" MATERIAL, ONLY ALUMINUM
CONTINUOUS WALL BRACKETS AND STAINLESS STEEL SHOES WILL BE SUPPLIED.



801 COREY ST., MOOSIC, PA, 18507

(570)348-0997

CUSTOMER & JOB NAME:

**HEADRAIL BRACED
SHOWERS**

COMTEC W.O.#

CUST. P.O.#

SHT. NO.:
OF

NOTES:

1. DOORS LARGER THAN 30" ARE TO BE SET TO THE CLOSED POSITION.
2. WHERE PILASTERS AND PANELS MEET THERE IS A 1/2" SPACE.
3. WHERE PILASTERS AND/OR PANELS MEET A WALL THERE IS A 1" SPACE.
4. HEADRAIL SHALL BE CUT 2" LONGER THAN THE OVERALL DIMENSION, AND CUT TO SIZE IN THE FIELD BY THE INSTALLER.