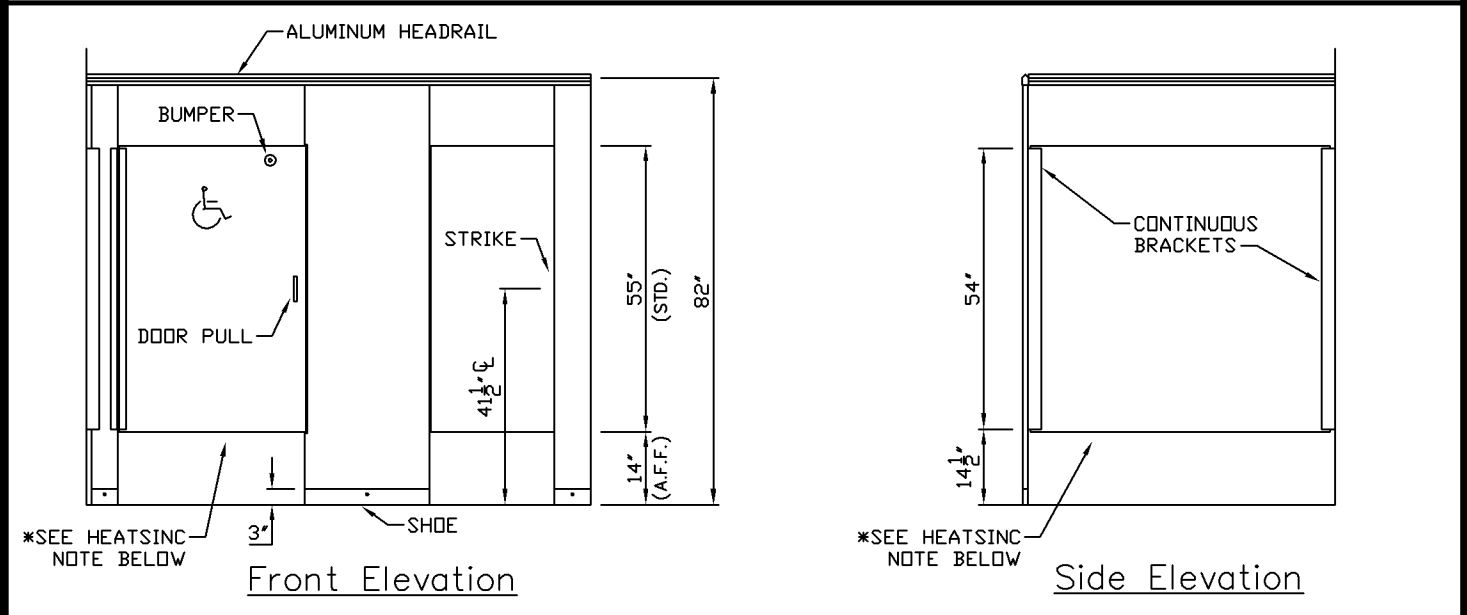


Plan Elevation



Front Elevation

Side Elevation

**COMTEC / CAPITOL PARTITIONS INDUSTRIES**  
 600 WINFIELD AVE. SCRANTON, PA. 18507 1(800)-445-5148

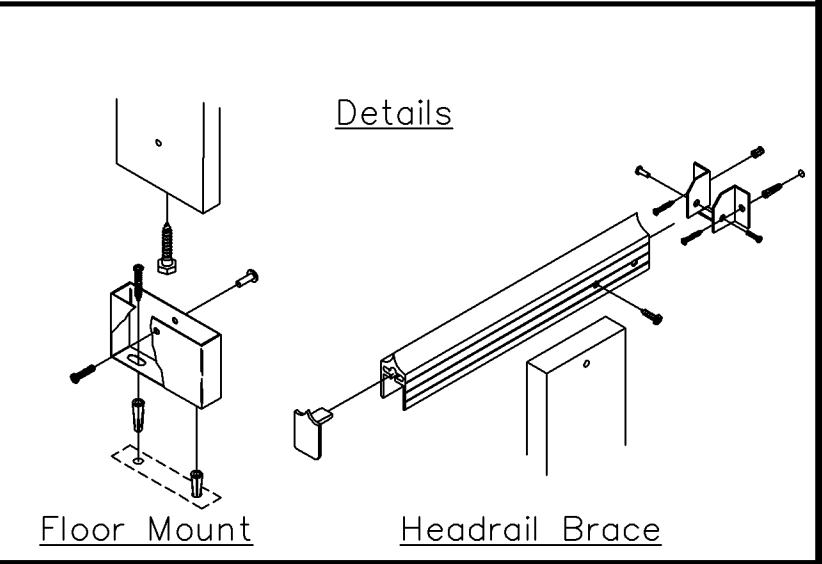
STANDARD ELEVATIONS \*ZEROSIGHT\*  
 (Drawings are not to scale)

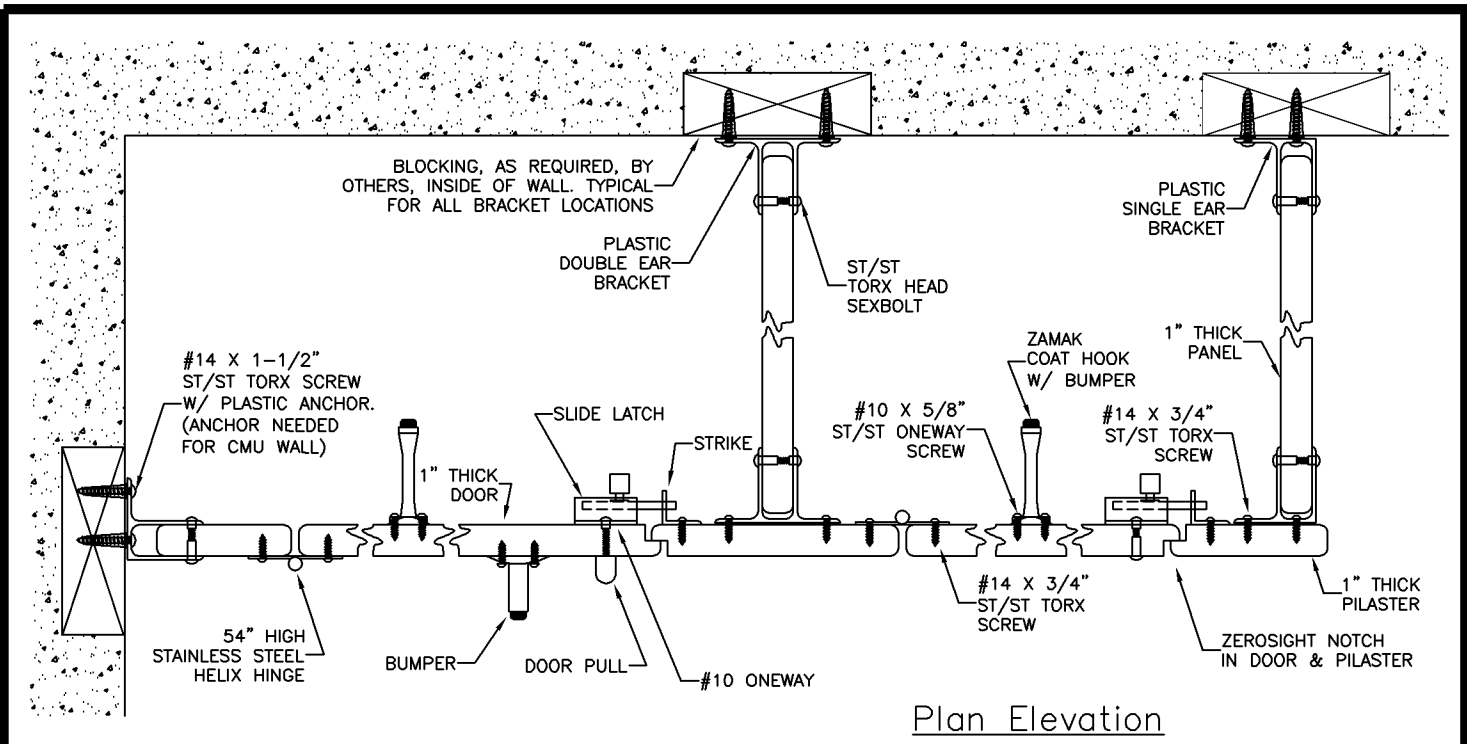
- \*Floor Mounted Overhead Braced
- \*54" Stainless Steel Hinge
- \*Continuous Aluminum Brackets

NOTE: Hinge is stamped "In" or "Out," see reverse side.  
 HC & outswing STD door set to return to "closed" (0°)  
 inswing STD stall set to return to "open" (15°)

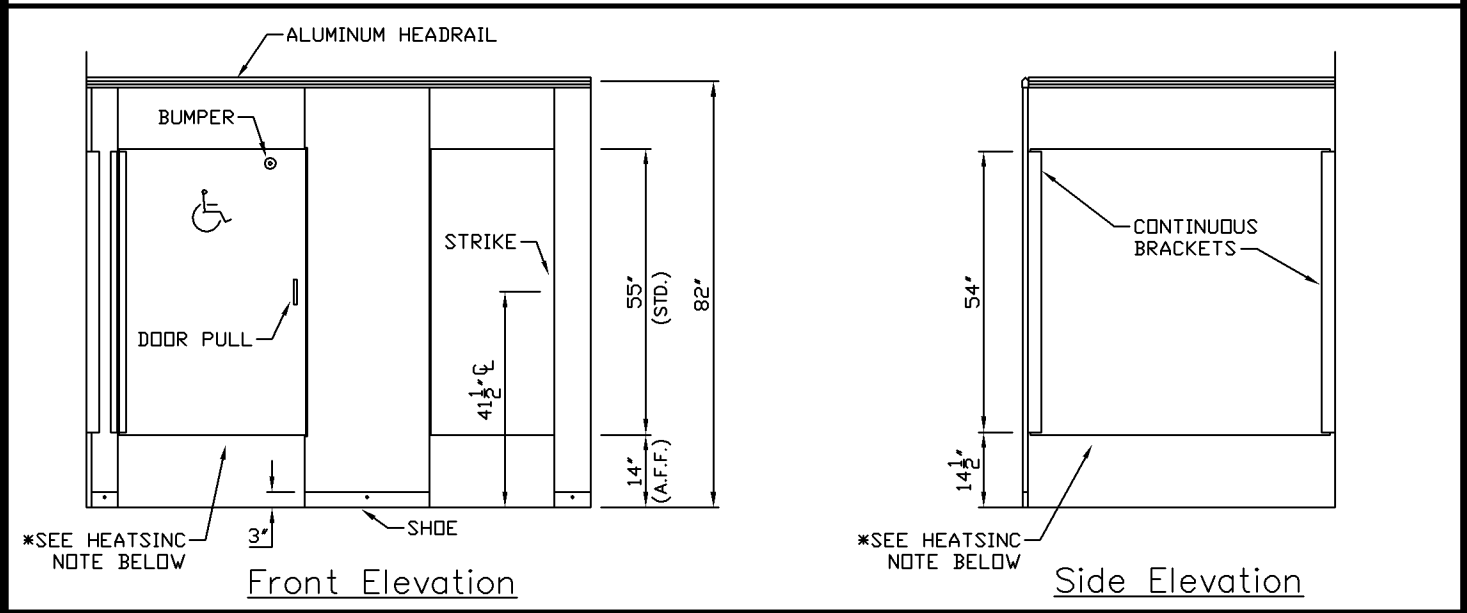
**Note: "Job-Specific Specifications" for all orders are located on the top of the shop drawing layouts.**

\* HEATSINC NOTE: Heatsinc is to be placed on the bottom of the panels & doors. (If specified)





Plan Elevation



Front Elevation

Side Elevation

**COMTEC / CAPITOL PARTITIONS INDUSTRIES**  
 600 WINFIELD AVE. SCRANTON, PA. 18507 1(800)-445-5148

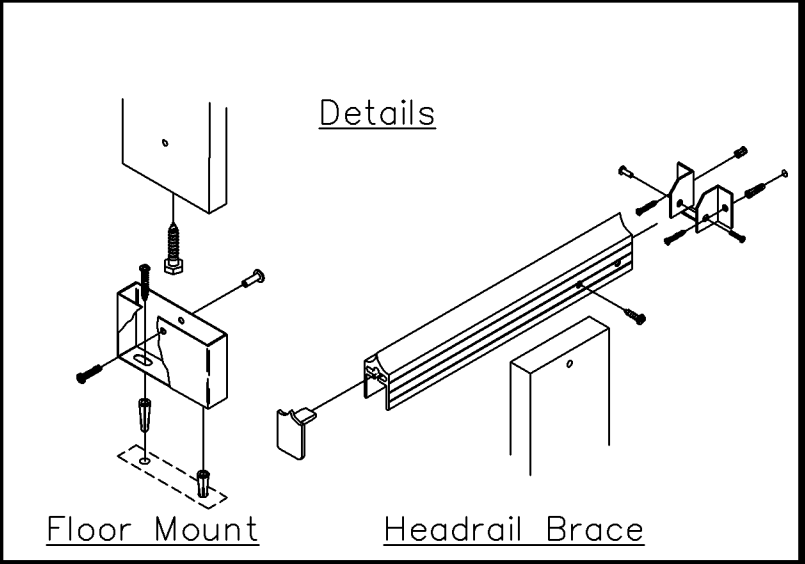
**STANDARD ELEVATIONS**      **\*ZEROSIGHT\***  
 (Drawings are not to scale)

\*Floor Mounted Overhead Braced  
 \*54" Stainless Steel Hinge  
 \*Continuous Plastic Brackets

**NOTE:** Hinge is stamped "In" or "Out," see reverse side. HC & outwinging STD door set to return to "closed" (0°) inswinging STD stall set to return to "open" (15°)

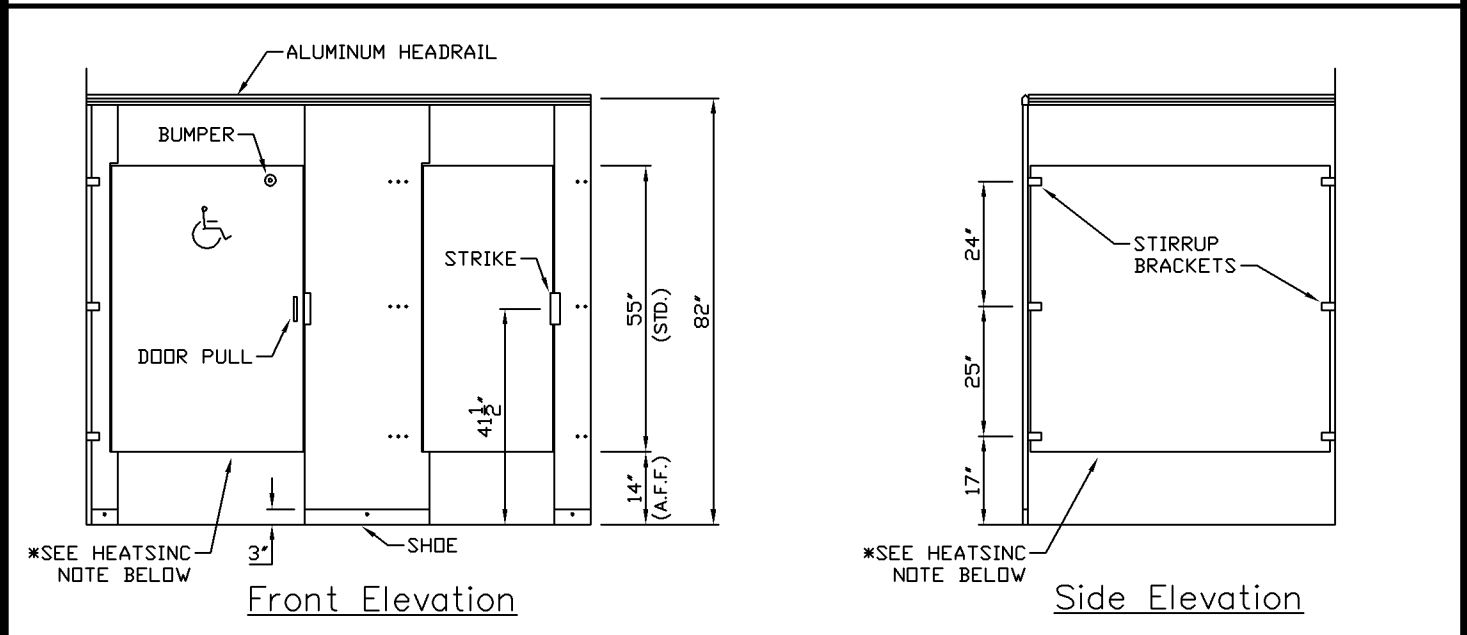
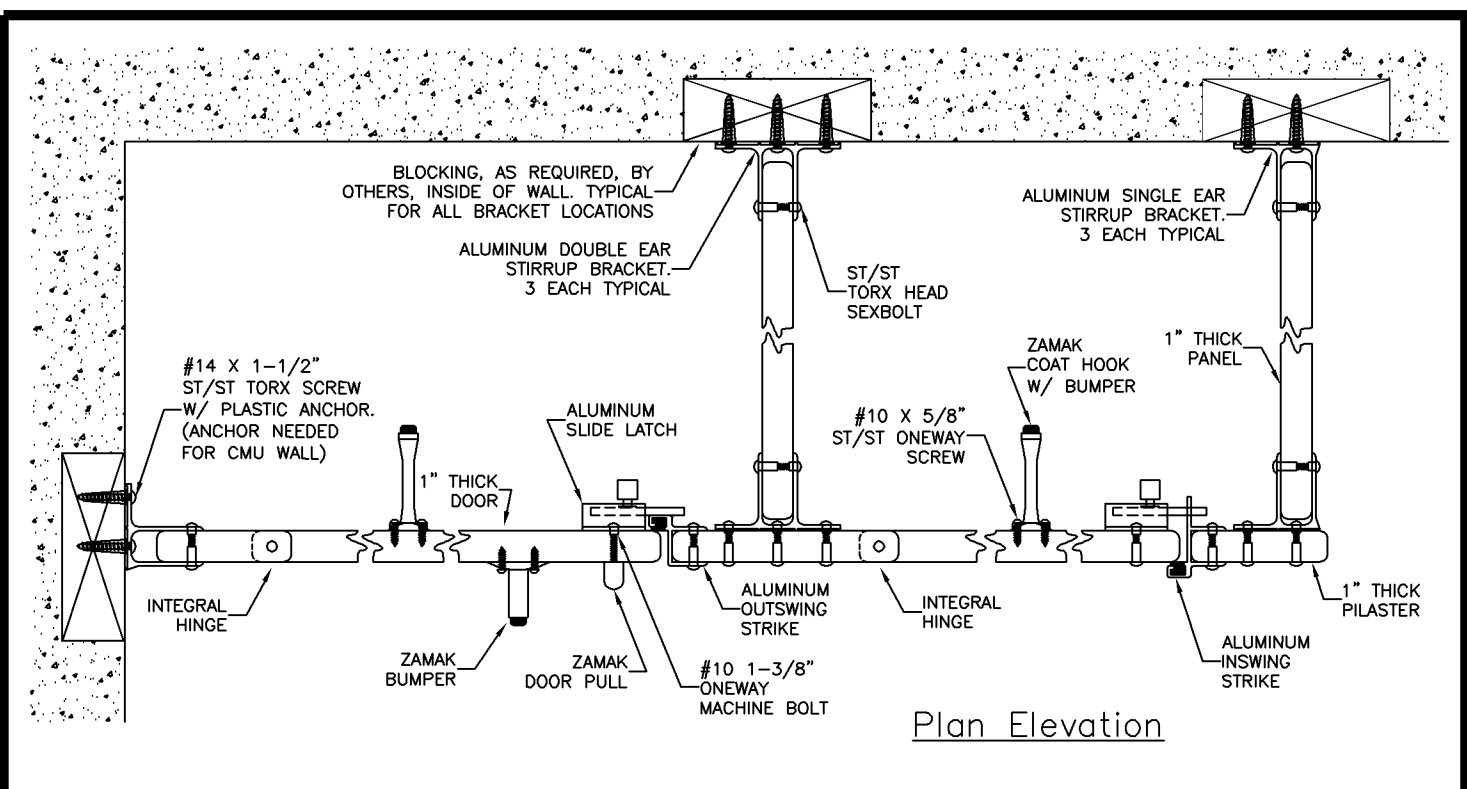
**Note:** "Job-Specific Specifications" for all orders are located on the top of the shop drawing layouts.

**\* HEATSINC NOTE:** Heatsinc is to be placed on the bottom of the panels & doors. (If specified)



Floor Mount

Headrail Brace



**COMTEC / CAPITOL PARTITIONS INDUSTRIES**

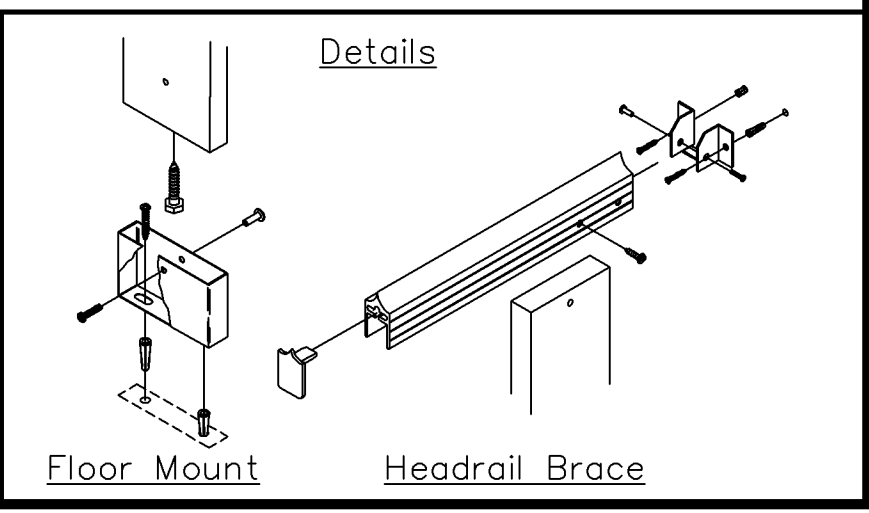
600 WINFIELD AVE. SCRANTON, PA. 18507 1(800)-445-5148

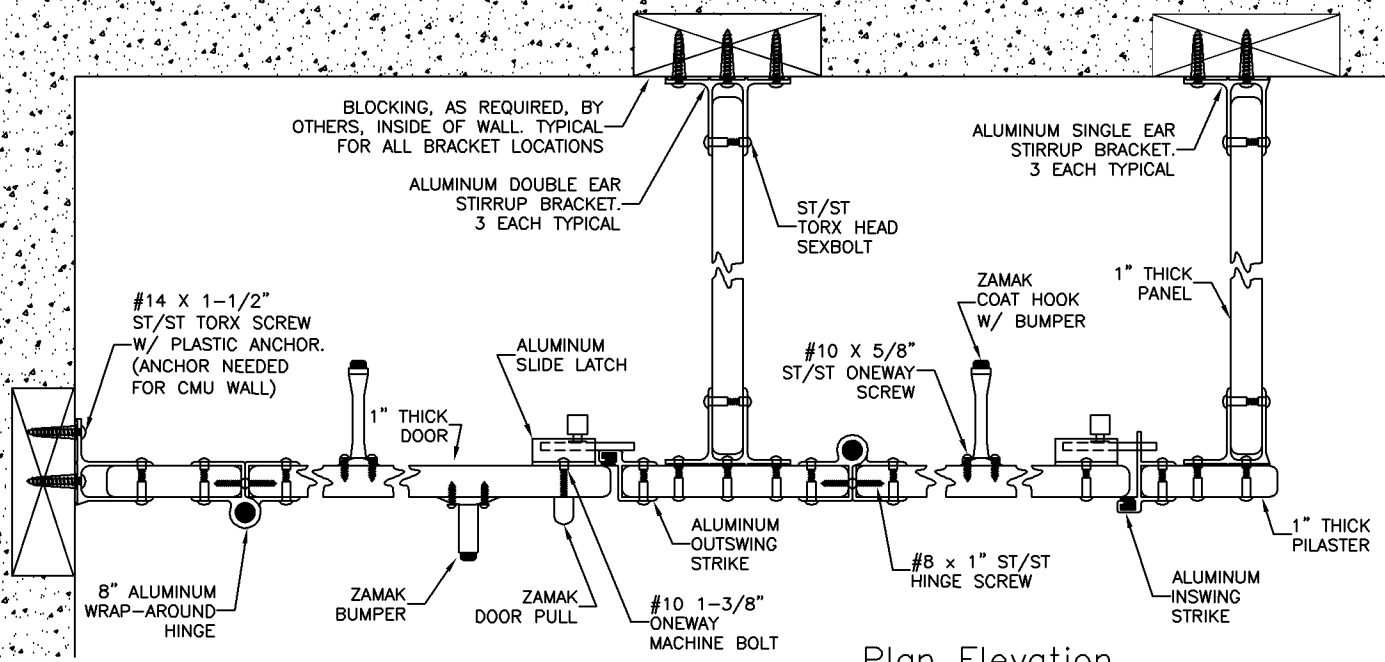
**STANDARD ELEVATIONS**  
 (Drawings are not to scale)

- \*Floor Mounted Overhead Braced
- \*Integral Hinge
- \*Stirrup Brackets

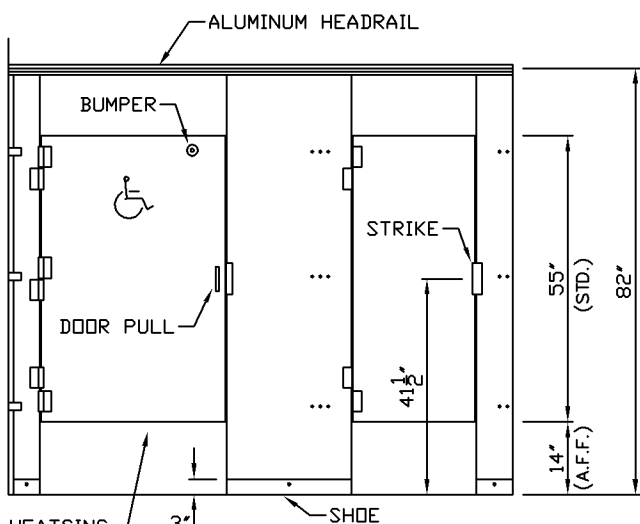
**Note: "Job-Specific Specifications" for all orders are located on the top of the shop drawing layouts.**

\* HEATSINC NOTE: Heatsinc is to be placed on the bottom of the panels & doors. (If specified)



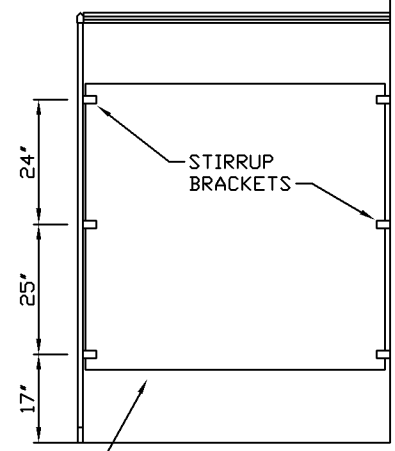


Plan Elevation



\*SEE HEATSINC NOTE BELOW

Front Elevation



\*SEE HEATSINC NOTE BELOW

Side Elevation

**COMTEC / CAPITOL PARTITIONS INDUSTRIES**

600 WINFIELD AVE. SCRANTON, PA. 18507 1(800)-445-5148

**STANDARD ELEVATIONS**

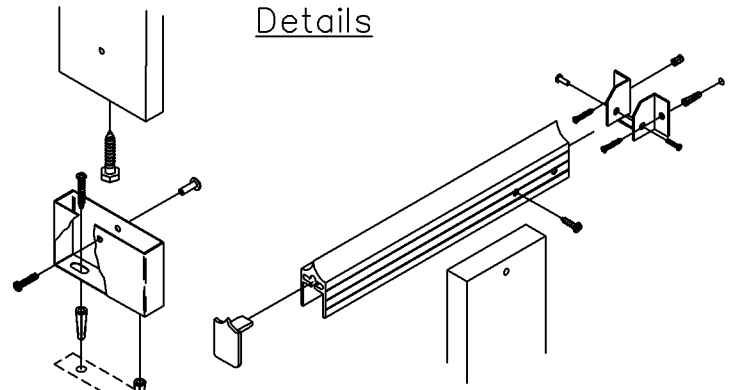
(Drawings are not to scale)

- \*Floor Mounted Overhead Braced
- \*8" Aluminum Wrap-Around Hinge
- \*Stirrup Brackets

**Note: "Job-Specific Specifications" for all orders are located on the top of the shop drawing layouts.**

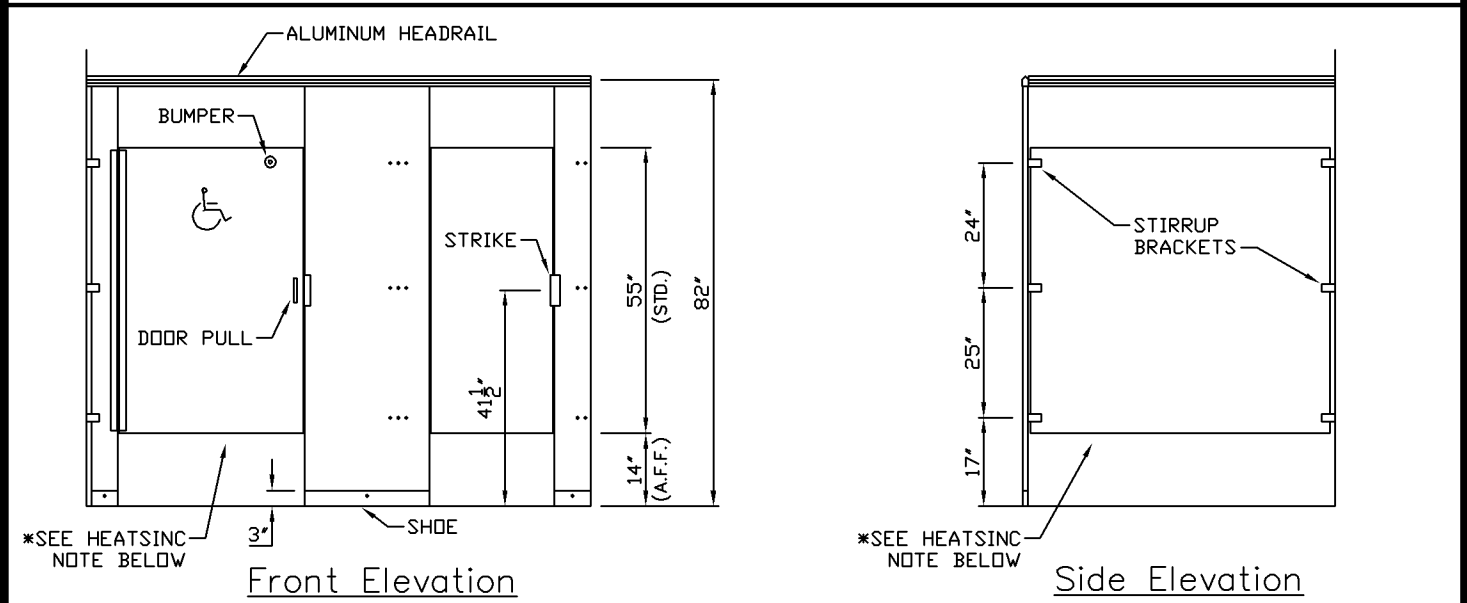
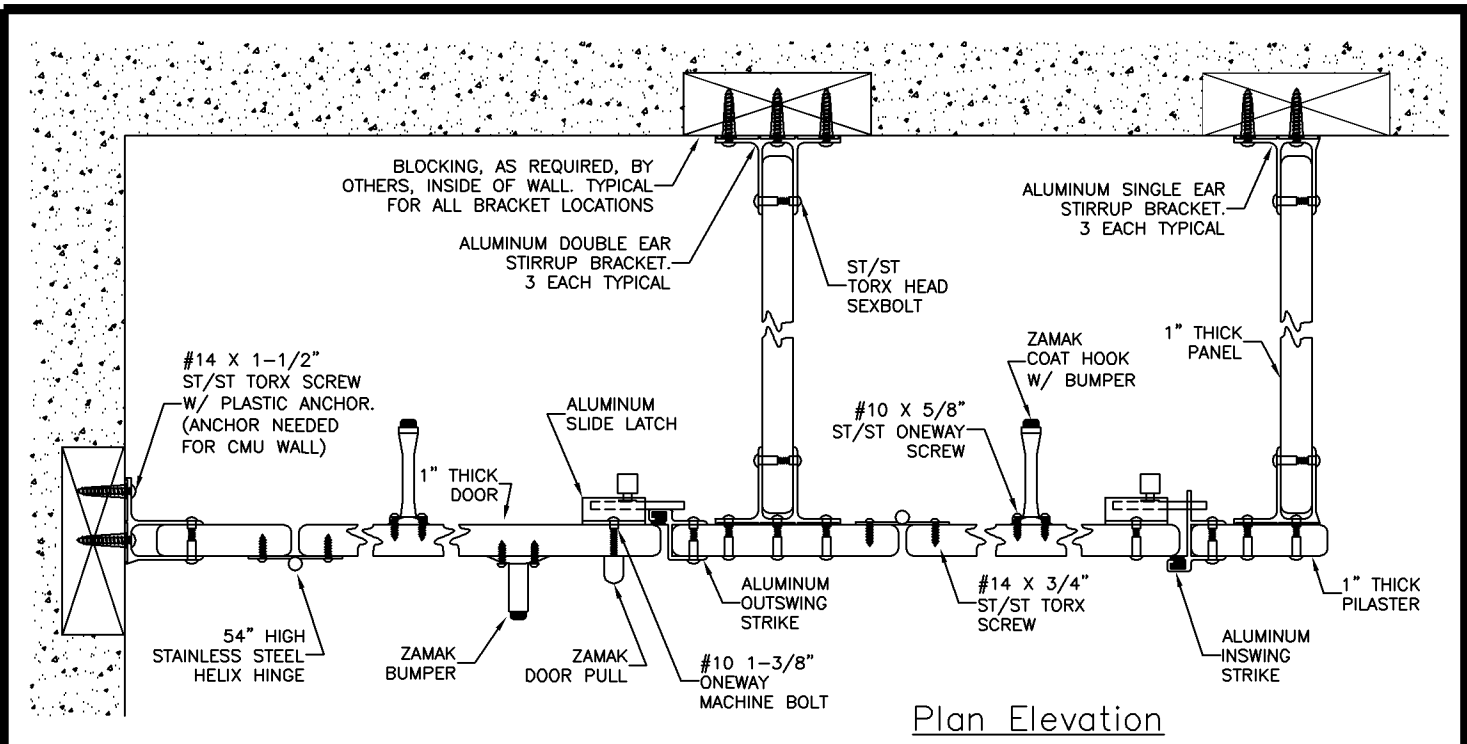
\* HEATSINC NOTE: Heatsinc is to be placed on the bottom of the panels & doors. (If specified)

Details



Floor Mount

Headrail Brace



**COMTEC / CAPITOL INDUSTRIES PARTITIONS**

600 WINFIELD AVE. SCRANTON, PA. 18507 1(800)-445-5148

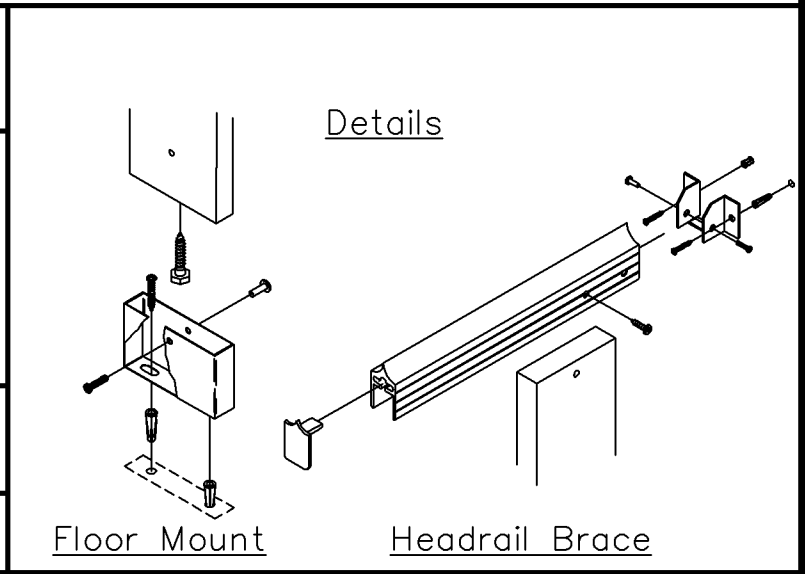
**STANDARD ELEVATIONS**  
(Drawings are not to scale)

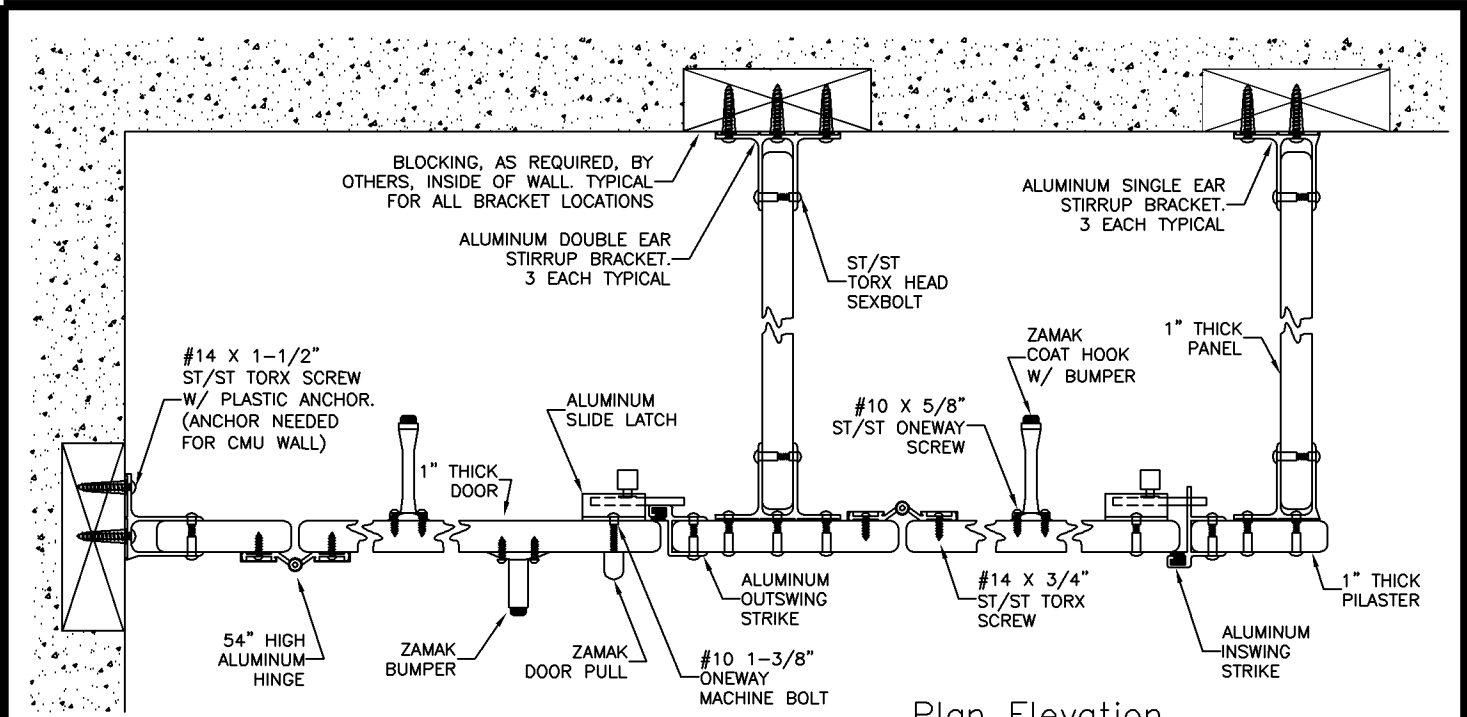
- \*Floor Mounted Overhead Braced
- \*54" Stainless Steel Hinge
- \*Stirrup Brackets

NOTE: Hinge is stamped "In" or "Out," see reverse side. HC & outswing STD door set to return to "closed" (0") inswing STD stall set to return to "open" (15")

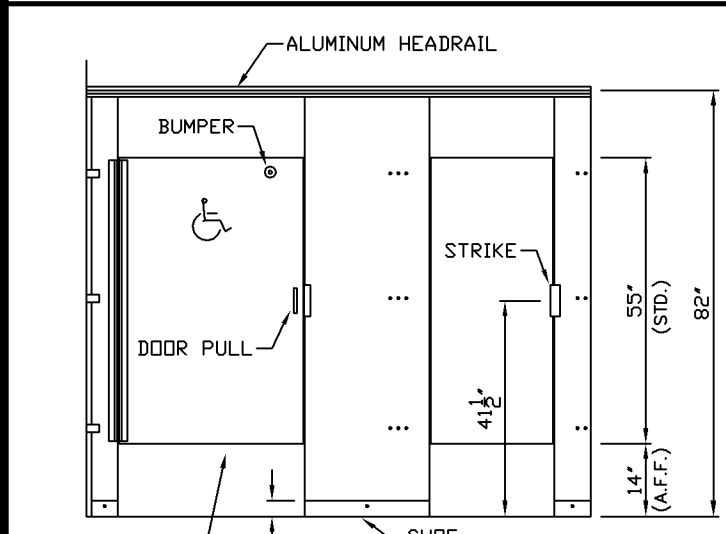
**Note: "Job-Specific Specifications" for all orders are located on the top of the shop drawing layouts.**

\* HEATSINC NOTE: Heatsinc is to be placed on the bottom of the panels & doors. (If specified)



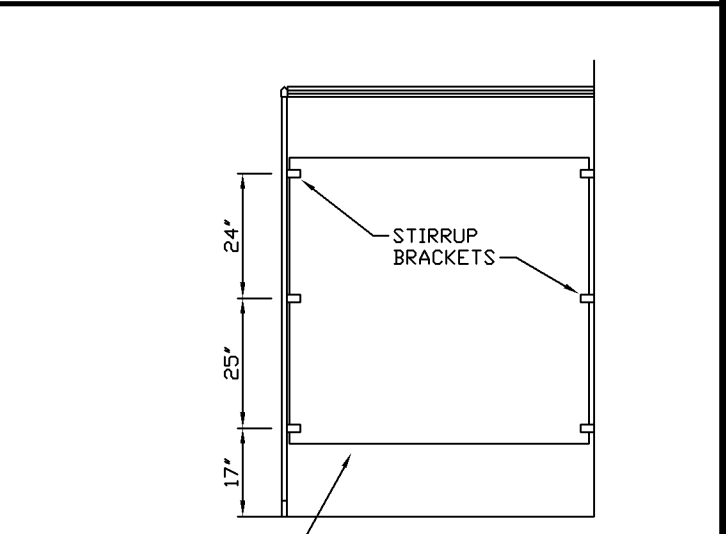


Plan Elevation



Front Elevation

\*SEE HEATSINC NOTE BELOW



Side Elevation

**COMTEC / CAPITAL PARTITIONS**  
INDUSTRIES

600 WINFIELD AVE. SCRANTON, PA. 18507 1(800)-445-5148

**STANDARD ELEVATIONS**

(Drawings are not to scale)

\*Floor Mounted Overhead Braced

\*54" Aluminum Hinge

\*Stirrup Brackets

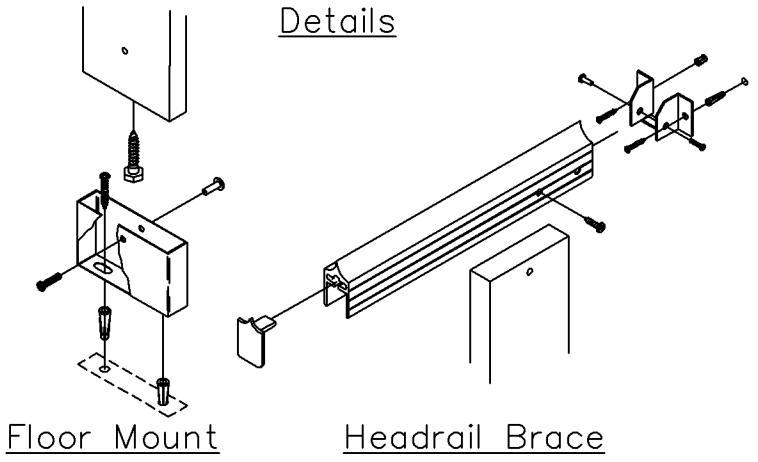
**NOTE:**

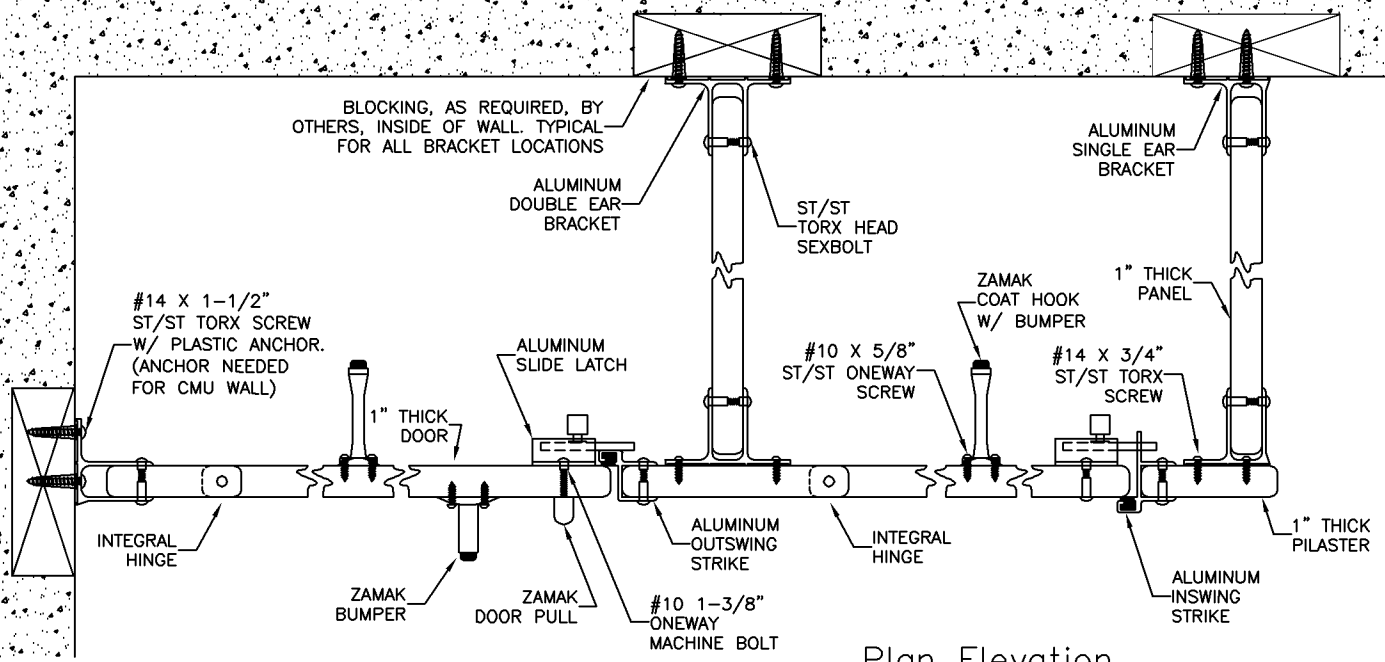
Only set to return to "Close" when activated.

**Note: "Job-Specific Specifications" for all orders are located on the top of the shop drawing layouts.**

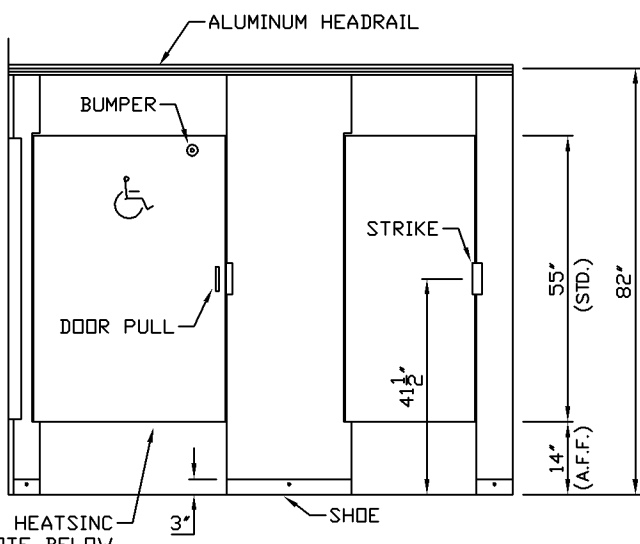
\* HEATSINC NOTE: Heatsinc is to be placed on the bottom of the panels & doors. (If specified)

Details

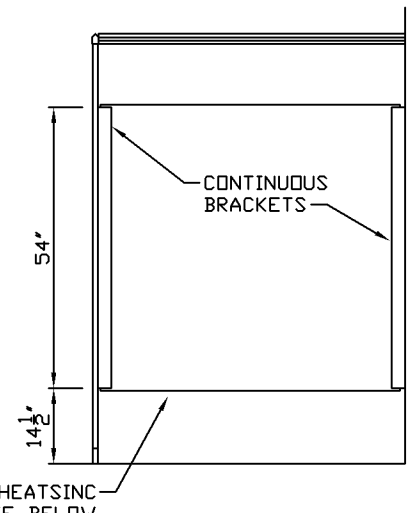




Plan Elevation



Front Elevation



Side Elevation

**COMTEC / CAPITOL PARTITIONS INDUSTRIES**

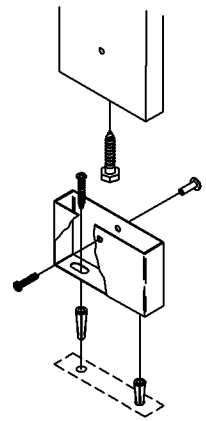
600 WINFIELD AVE. SCRANTON, PA. 18507 1(800)-445-5148

**STANDARD ELEVATIONS**  
 (Drawings are not to scale)  
 \*Floor Mounted Overhead Braced  
 \*Integral Hinge  
 \*Continuous Aluminum Brackets

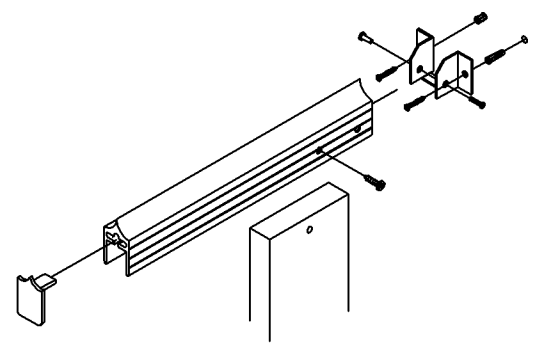
**Note: "Job-Specific Specifications" for all orders are located on the top of the shop drawing layouts.**

*\* HEATSINC NOTE: Heatsinc is to be placed on the bottom of the panels & doors. (If specified)*

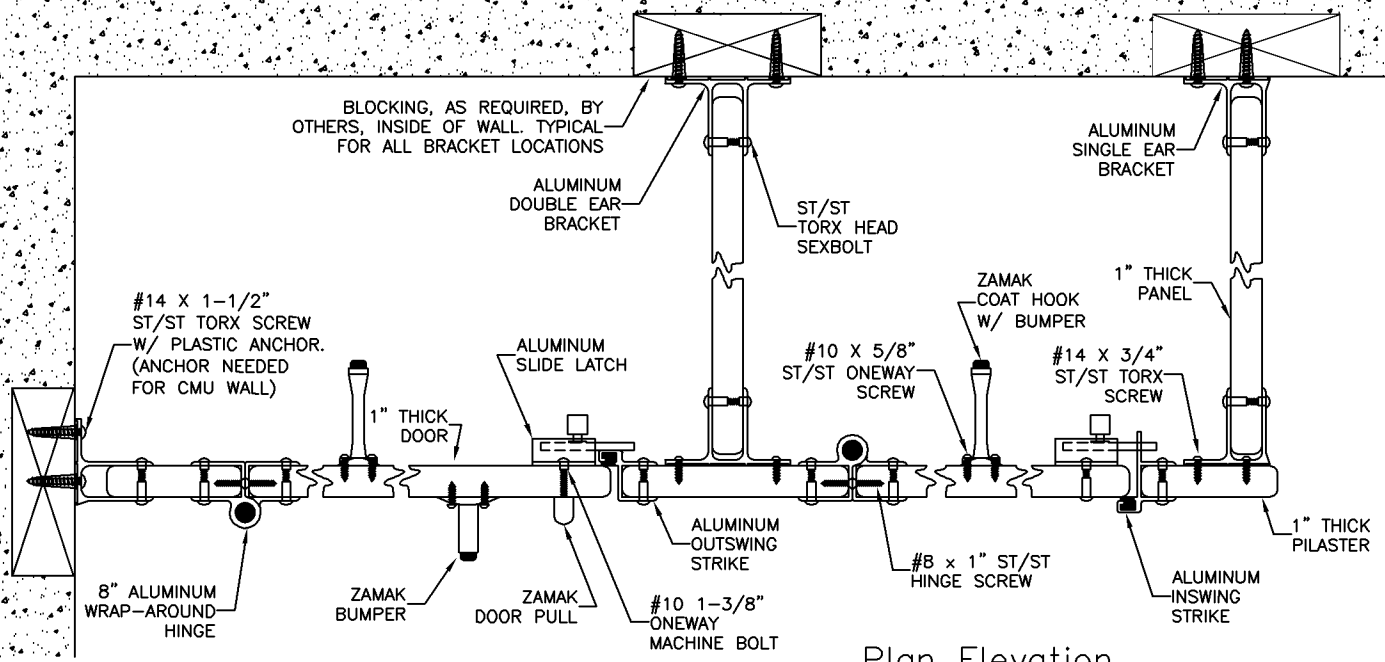
Details



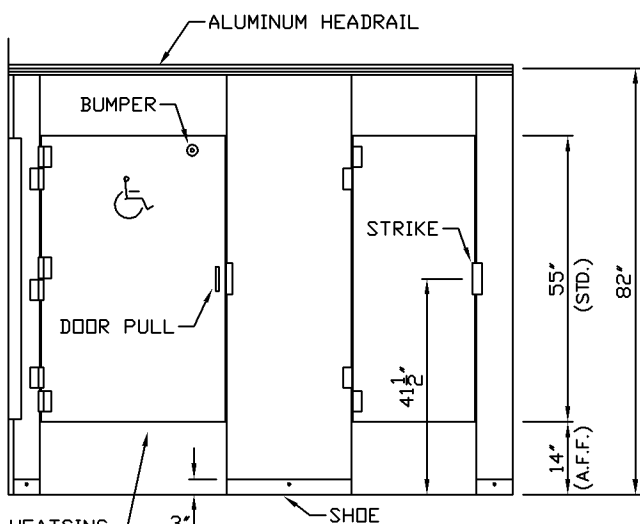
Floor Mount



Headrail Brace

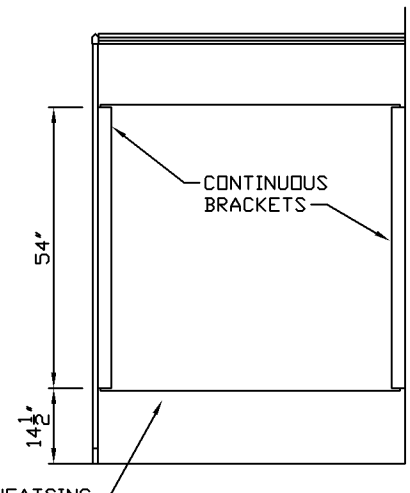


Plan Elevation



\*SEE HEATSINC NOTE BELOW

Front Elevation



\*SEE HEATSINC NOTE BELOW

Side Elevation

**COMTEC / CAPITOL PARTITIONS INDUSTRIES**

600 WINFIELD AVE. SCRANTON, PA. 18507 1(800)-445-5148

**STANDARD ELEVATIONS**

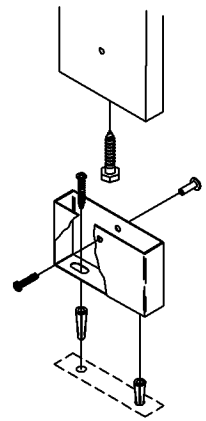
(Drawings are not to scale)

- \*Floor Mounted Overhead Braced
- \*8" Aluminum Wrap-Around Hinge
- \*Continuous Aluminum Brackets

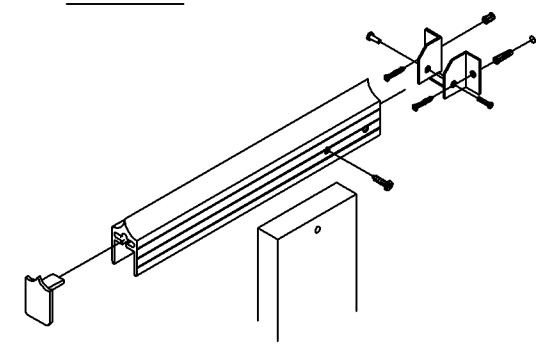
**Note:** "Job-Specific Specifications" for all orders are located on the top of the shop drawing layouts.

\* HEATSINC NOTE: Heatsinc is to be placed on the bottom of the panels & doors. (If specified)

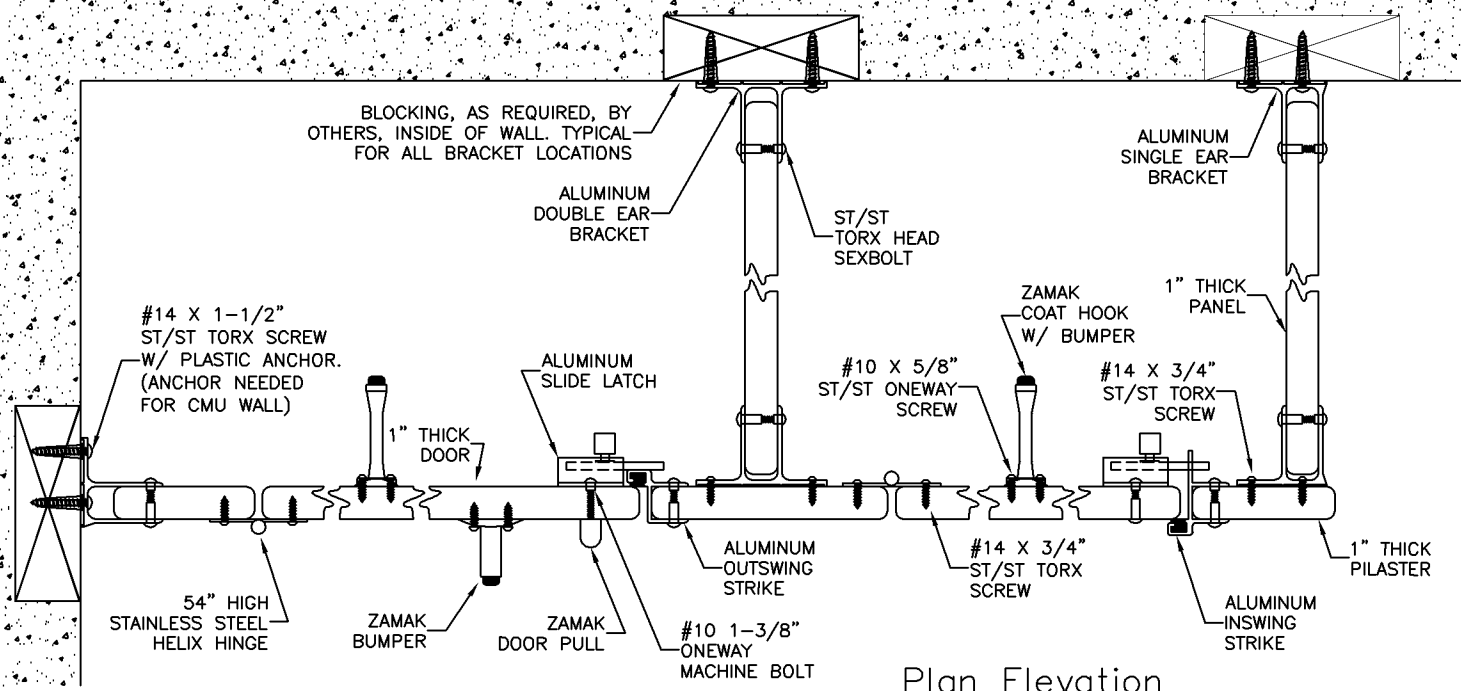
**Details**



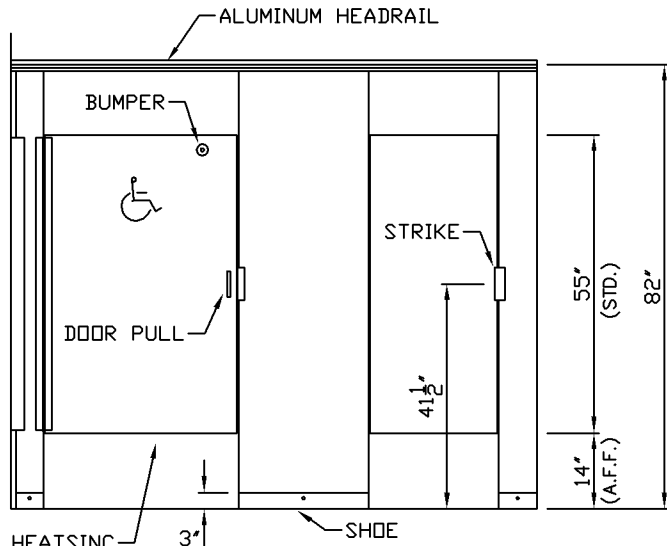
Floor Mount



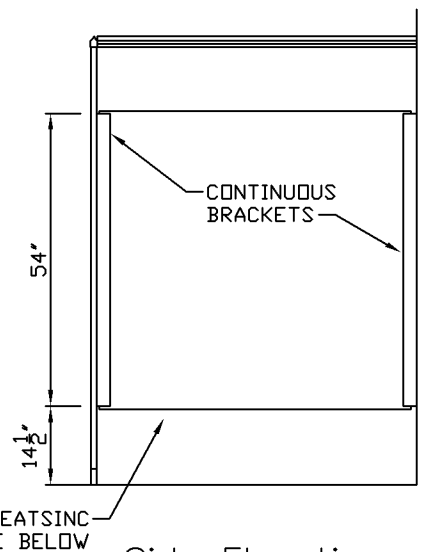
Headrail Brace



Plan Elevation



Front Elevation



Side Elevation

**COMTEC / CAPITOL PARTITIONS**  
INDUSTRIES

600 WINFIELD AVE. SCRANTON, PA. 18507 1(800)-445-5148

**STANDARD ELEVATIONS**

(Drawings are not to scale)

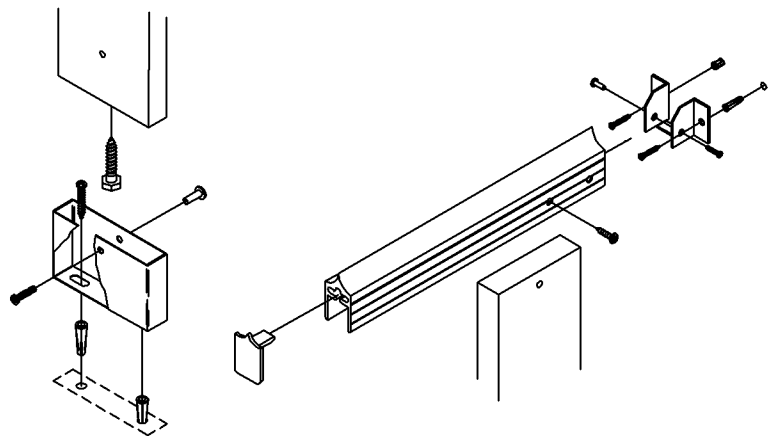
- \*Floor Mounted Overhead Braced
- \*54" Stainless Steel Hinge
- \*Continuous Aluminum Brackets

NOTE: Hinge is stamped "In" or "Out," see reverse side. HC & outswing STD door set to return to "closed" (0°) inswing STD stall set to return to "open" (15°)

**Note: "Job-Specific Specifications" for all orders are located on the top of the shop drawing layouts.**

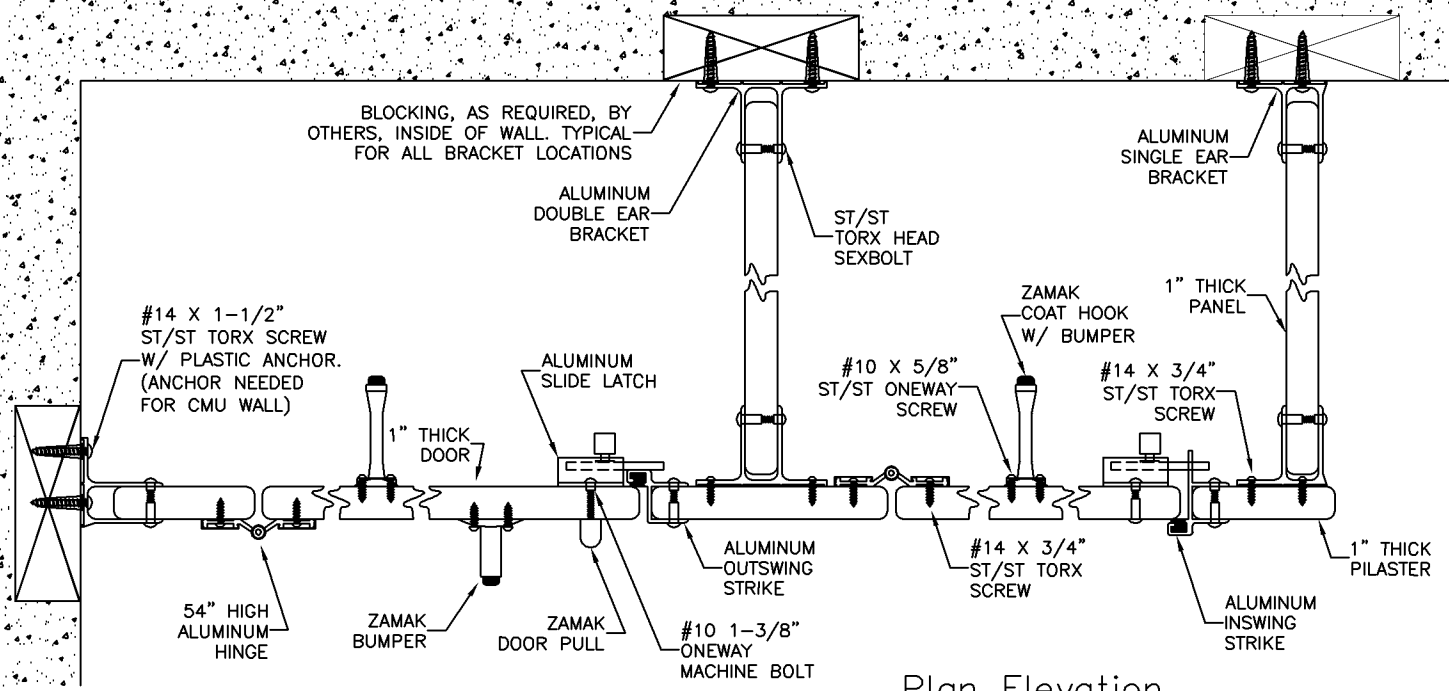
\* HEATSINC NOTE: Heatsinc is to be placed on the bottom of the panels & doors. (If specified)

**Details**

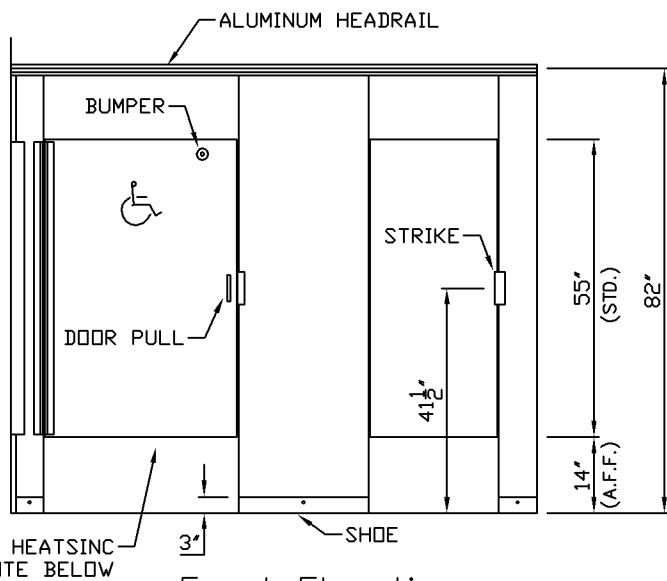


Floor Mount

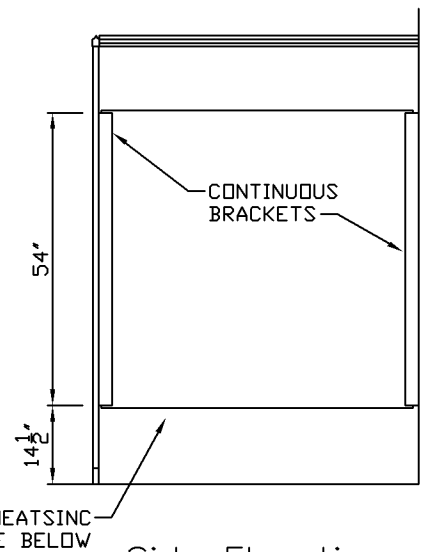
Headrail Brace



Plan Elevation



Front Elevation



Side Elevation

**COMTEC / CAPITOL INDUSTRIES PARTITIONS**

600 WINFIELD AVE. SCRANTON, PA. 18507 1(800)-445-5148

**STANDARD ELEVATIONS**

(Drawings are not to scale)

- \*Floor Mounted Overhead Braced
- \*54" Aluminum Hinge
- \*Continuous Aluminum Brackets

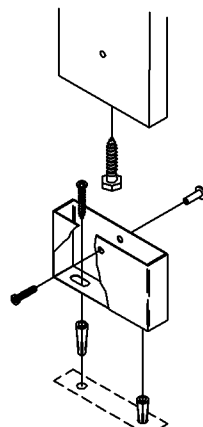
**NOTE:**

Only set to return to "Close" when activated.

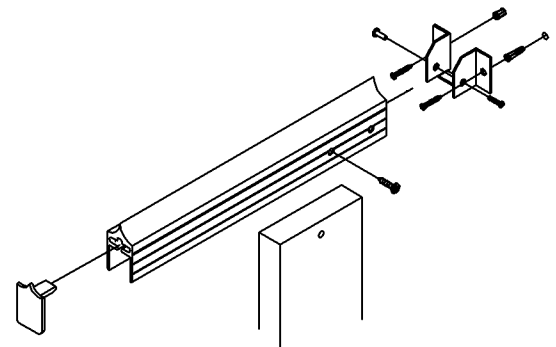
**Note: "Job-Specific Specifications" for all orders are located on the top of the shop drawing layouts.**

\* HEATSINC NOTE: Heatsinc is to be placed on the bottom of the panels & doors. (If specified)

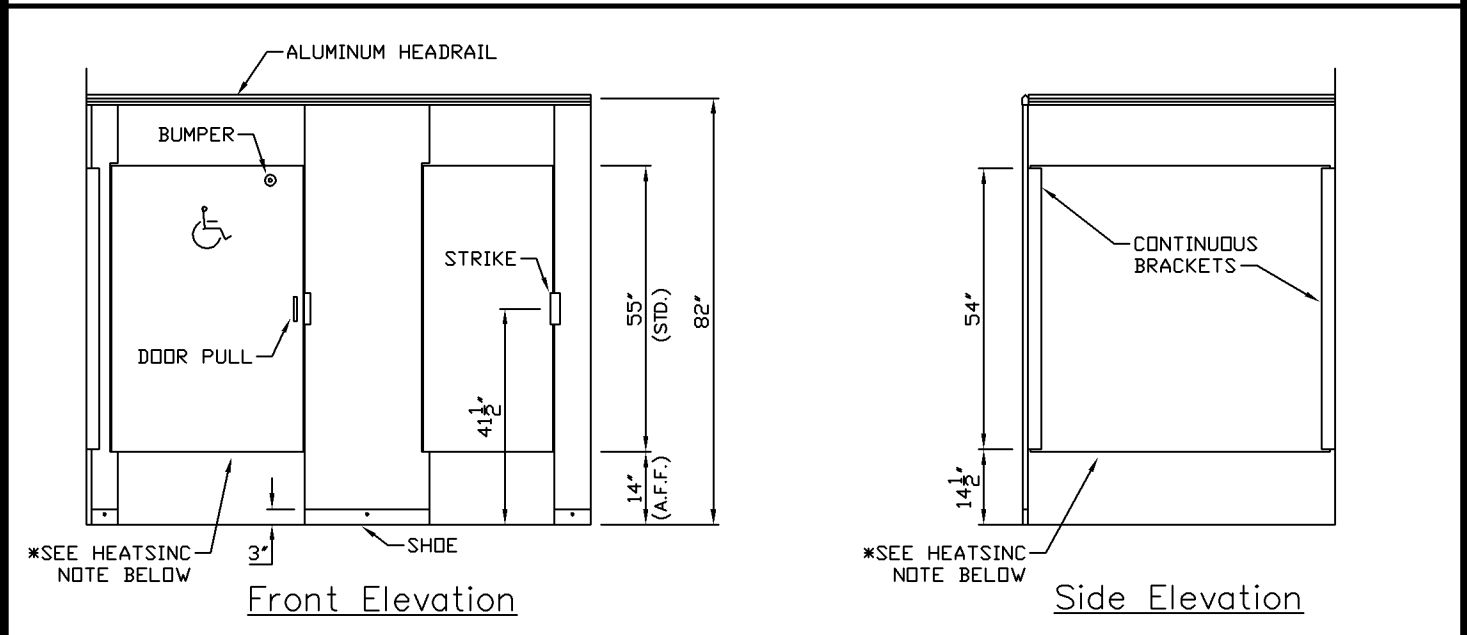
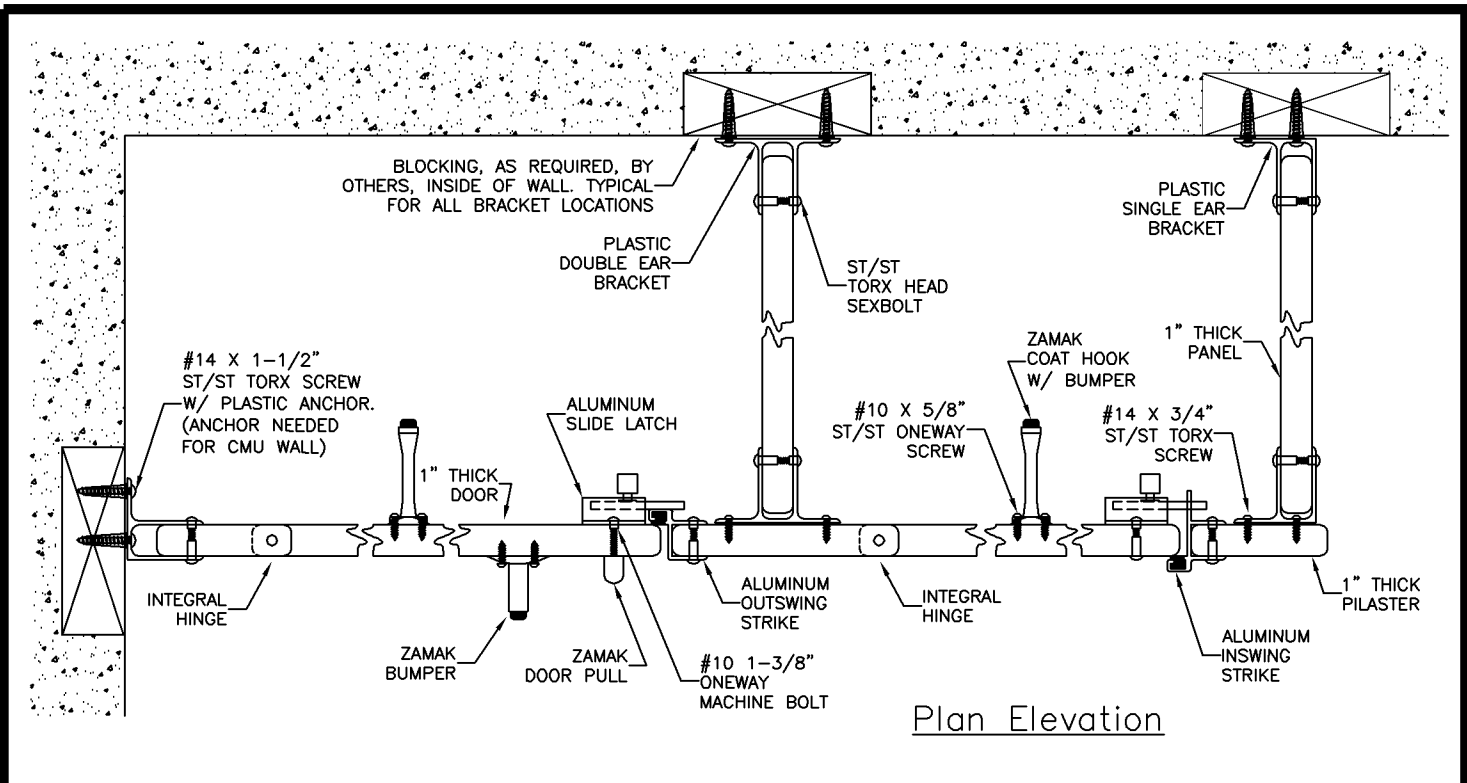
Details



Floor Mount



Headrail Brace



**COMTEC / CAPITOL PARTITIONS INDUSTRIES**

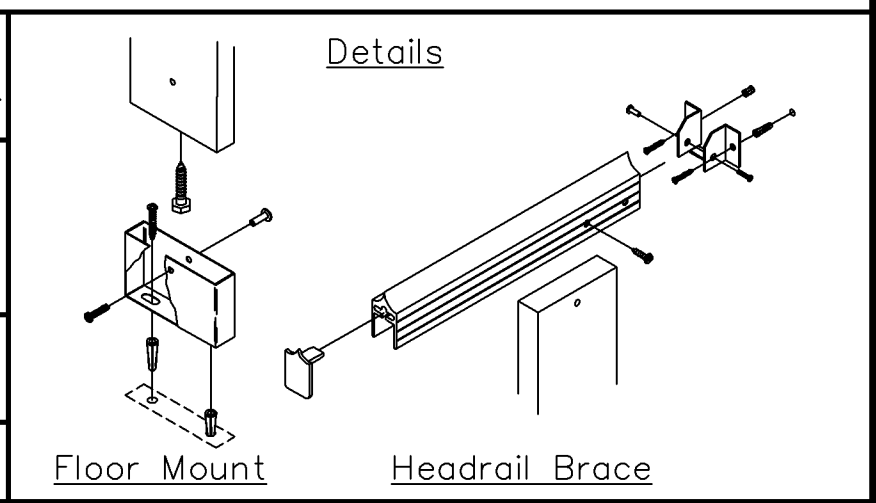
600 WINFIELD AVE. SCRANTON, PA. 18507 1(800)-445-5148

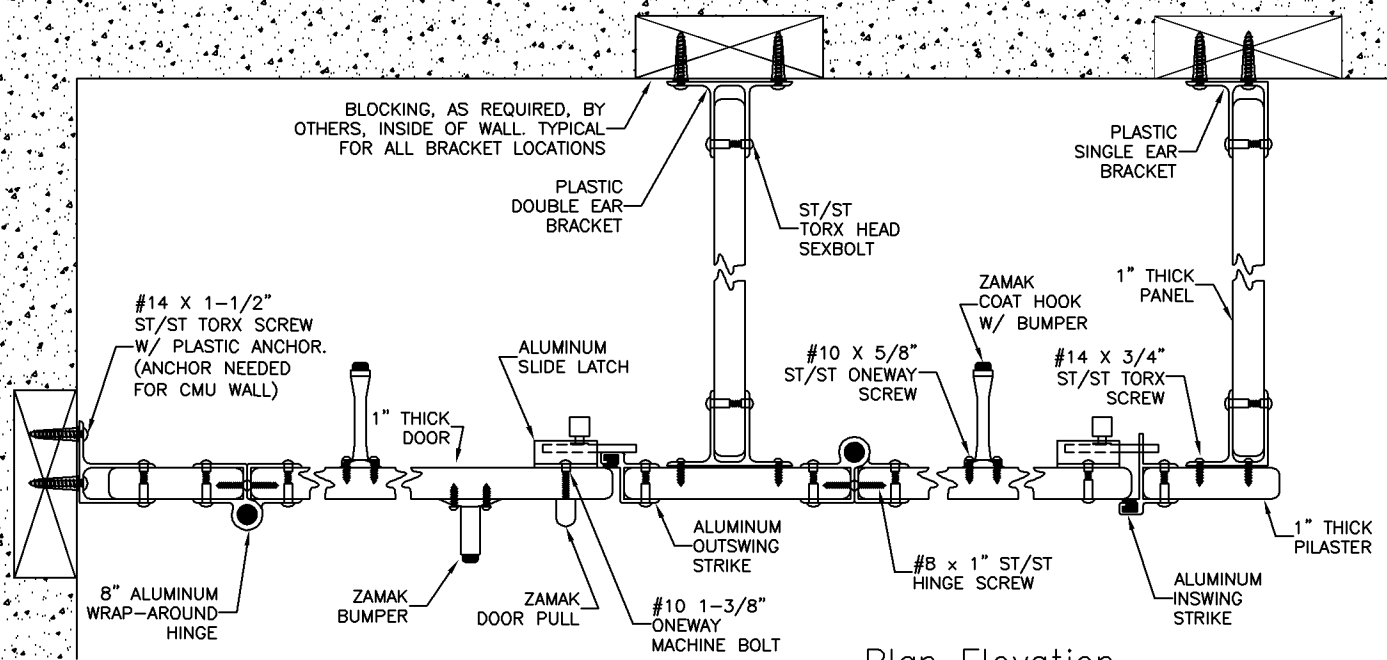
**STANDARD ELEVATIONS**  
(Drawings are not to scale)

- \*Floor Mounted Overhead Braced
- \*Integral Hinge
- \*Continuous Plastic Brackets

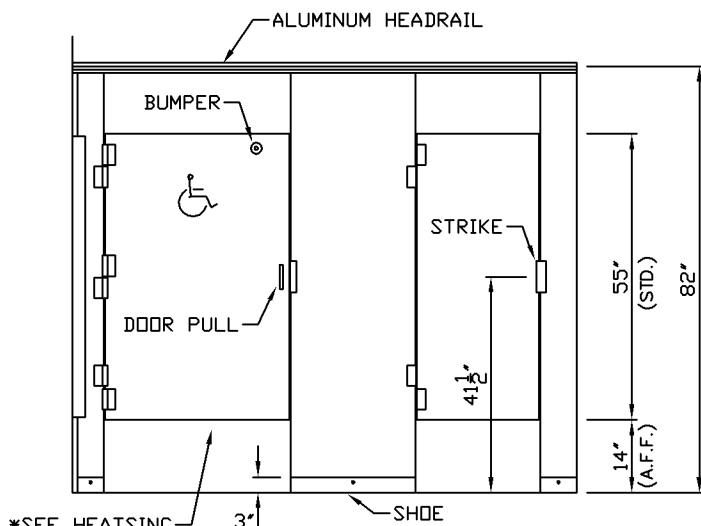
**Note: "Job-Specific Specifications" for all orders are located on the top of the shop drawing layouts.**

*\* HEATSINC NOTE: Heatsinc is to be placed on the bottom of the panels & doors. (If specified)*



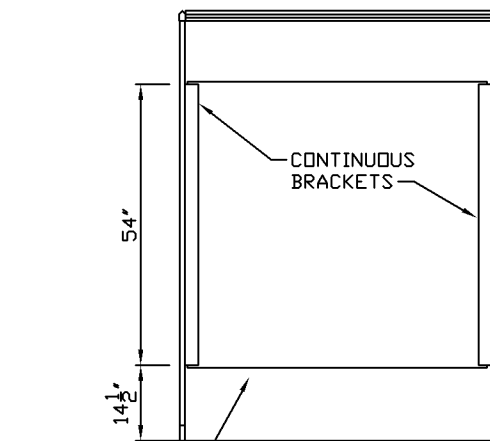


Plan Elevation



\*SEE HEATSINC NOTE BELOW

Front Elevation



\*SEE HEATSINC NOTE BELOW

Side Elevation

**COMTEC / CAPITOL PARTITIONS INDUSTRIES**

600 WINFIELD AVE. SCRANTON, PA. 18507 1(800)-445-5148

**STANDARD ELEVATIONS**

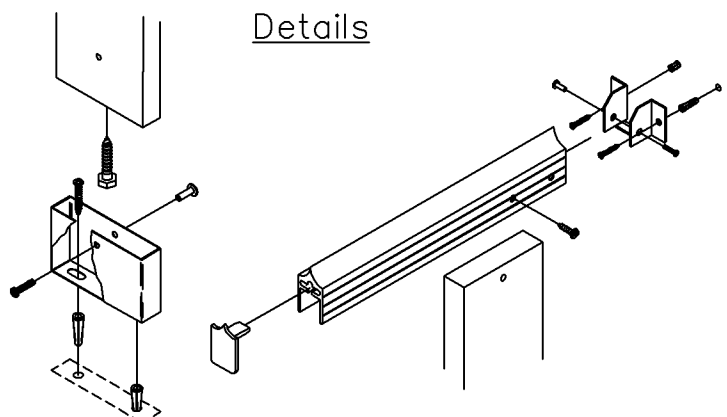
(Drawings are not to scale)

- \*Floor Mounted Overhead Braced
- \*8" Aluminum Wrap-Around Hinge
- \*Continuous Plastic Brackets

**Note:** "Job-Specific Specifications" for all orders are located on the top of the shop drawing layouts.

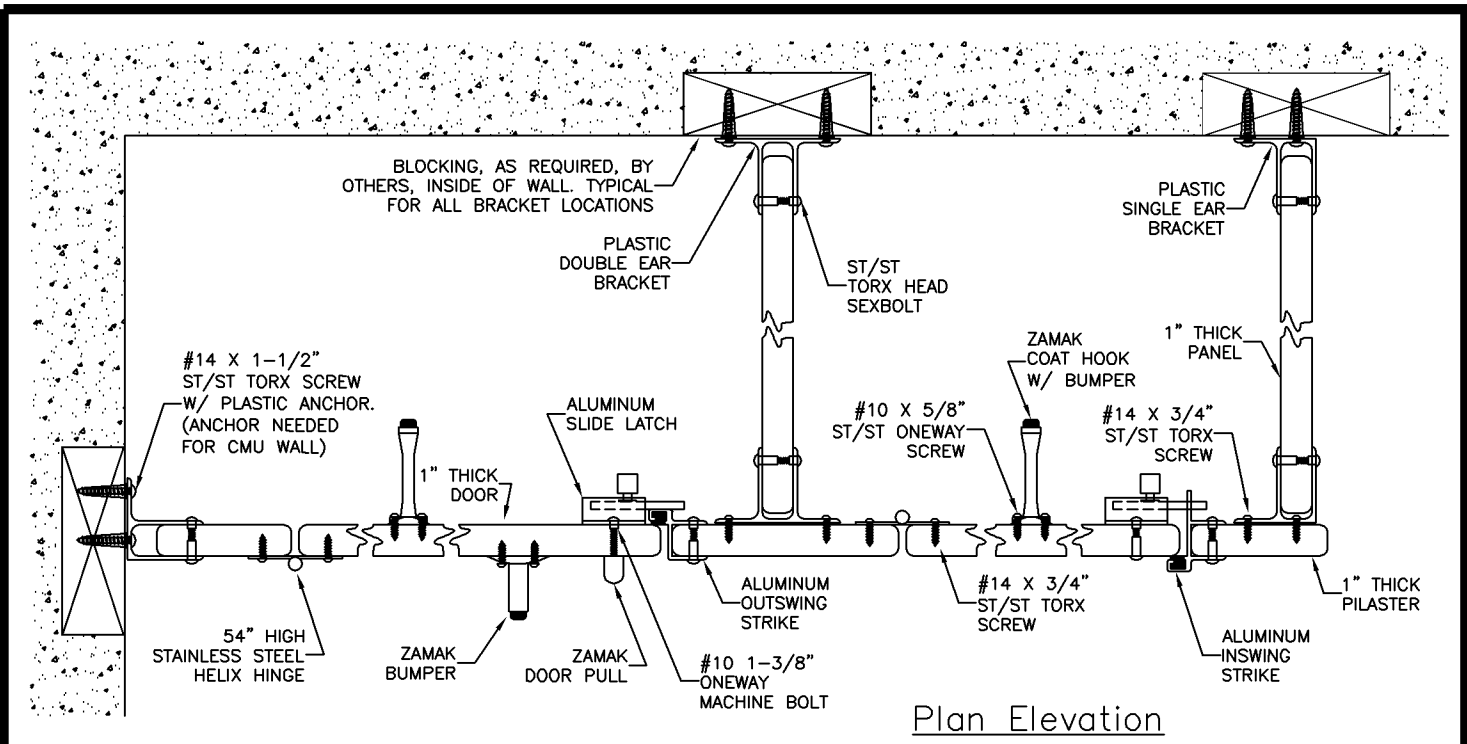
\* HEATSINC NOTE: Heatsinc is to be placed on the bottom of the panels & doors. (If specified)

Details

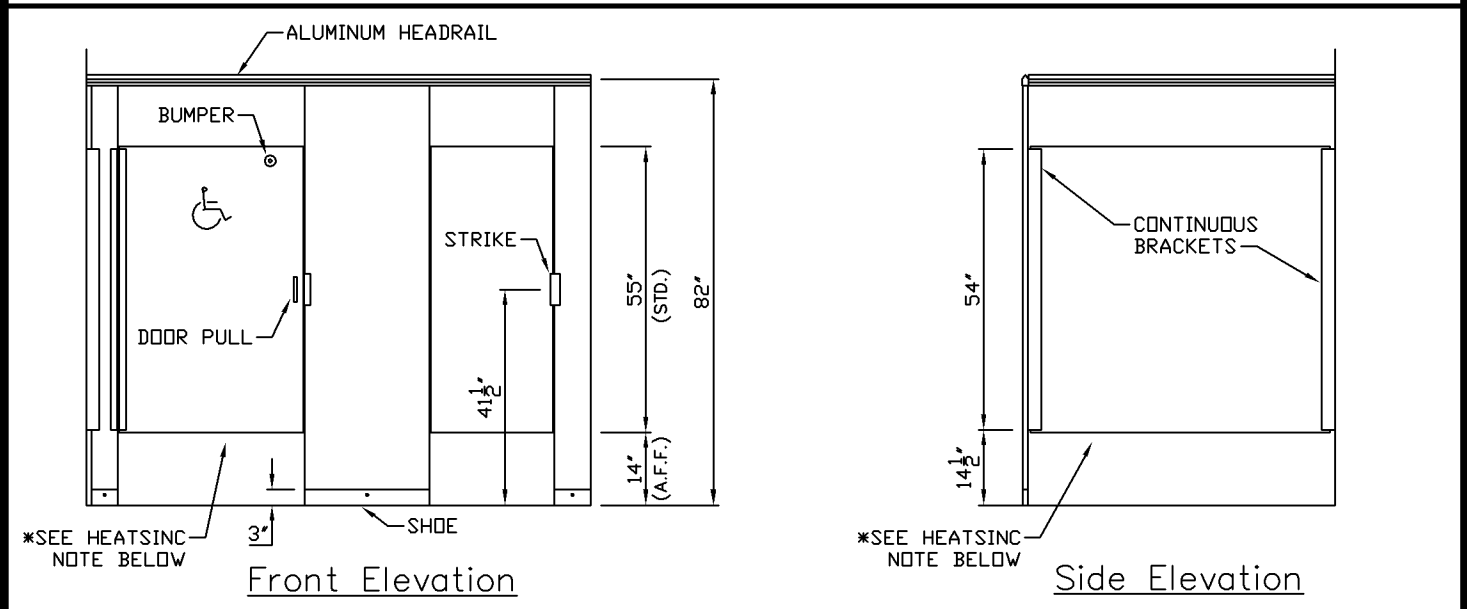


Floor Mount

Headrail Brace



Plan Elevation



Front Elevation

Side Elevation

**COMTEC / CAPITOL PARTITIONS**  
INDUSTRIES

600 WINFIELD AVE. SCRANTON, PA. 18507 1(800)-445-5148

**STANDARD ELEVATIONS**

(Drawings are not to scale)

\*Floor Mounted Overhead Braced

\*54" Stainless Steel Hinge

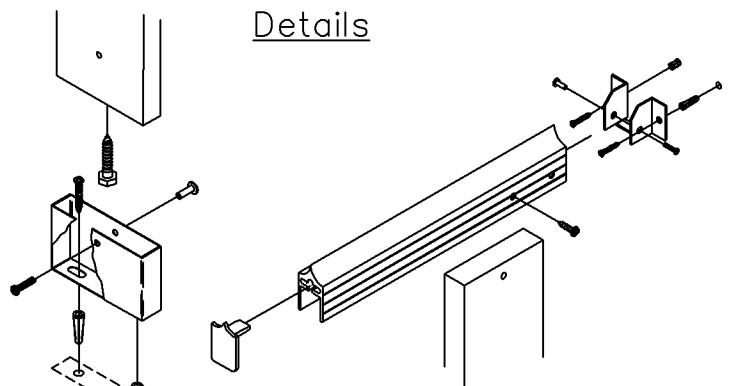
\*Continuous Plastic Brackets

NOTE: Hinge is stamped "In" or "Out," see reverse side. HC & outswing STD door set to return to "closed" (0°) inswing STD stall set to return to "open" (15°)

**Note: "Job-Specific Specifications" for all orders are located on the top of the shop drawing layouts.**

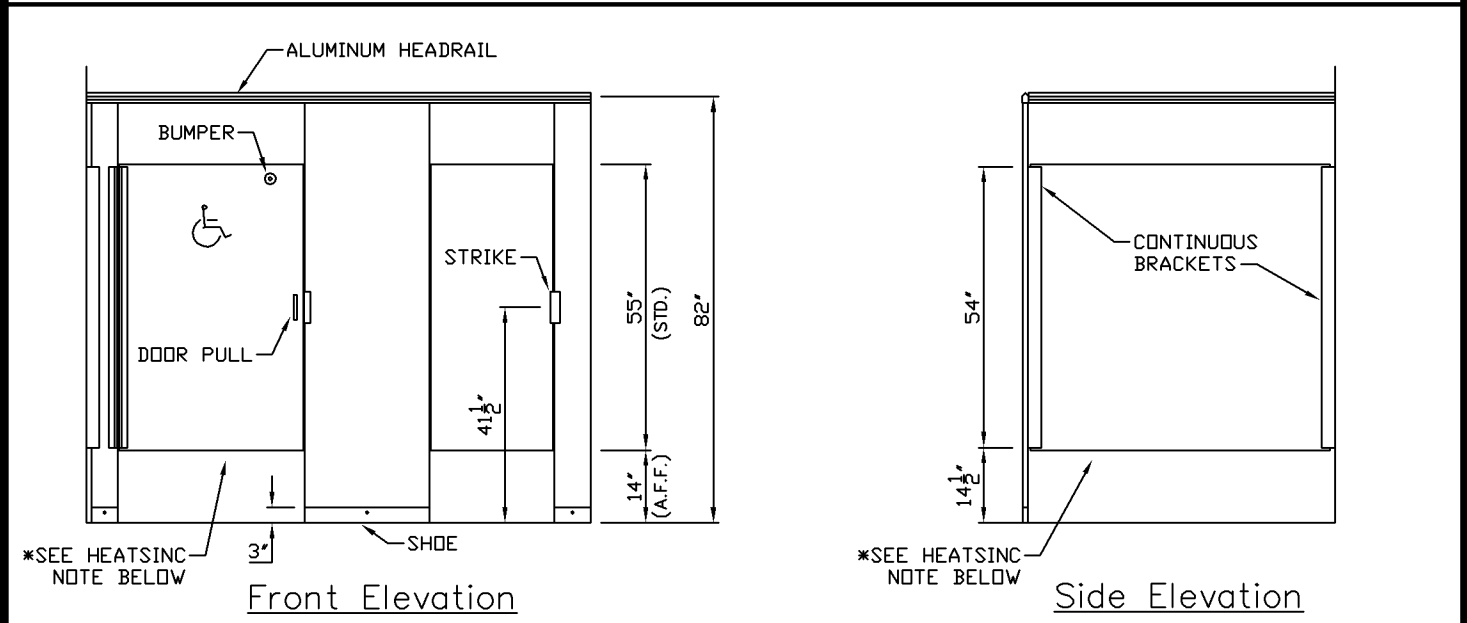
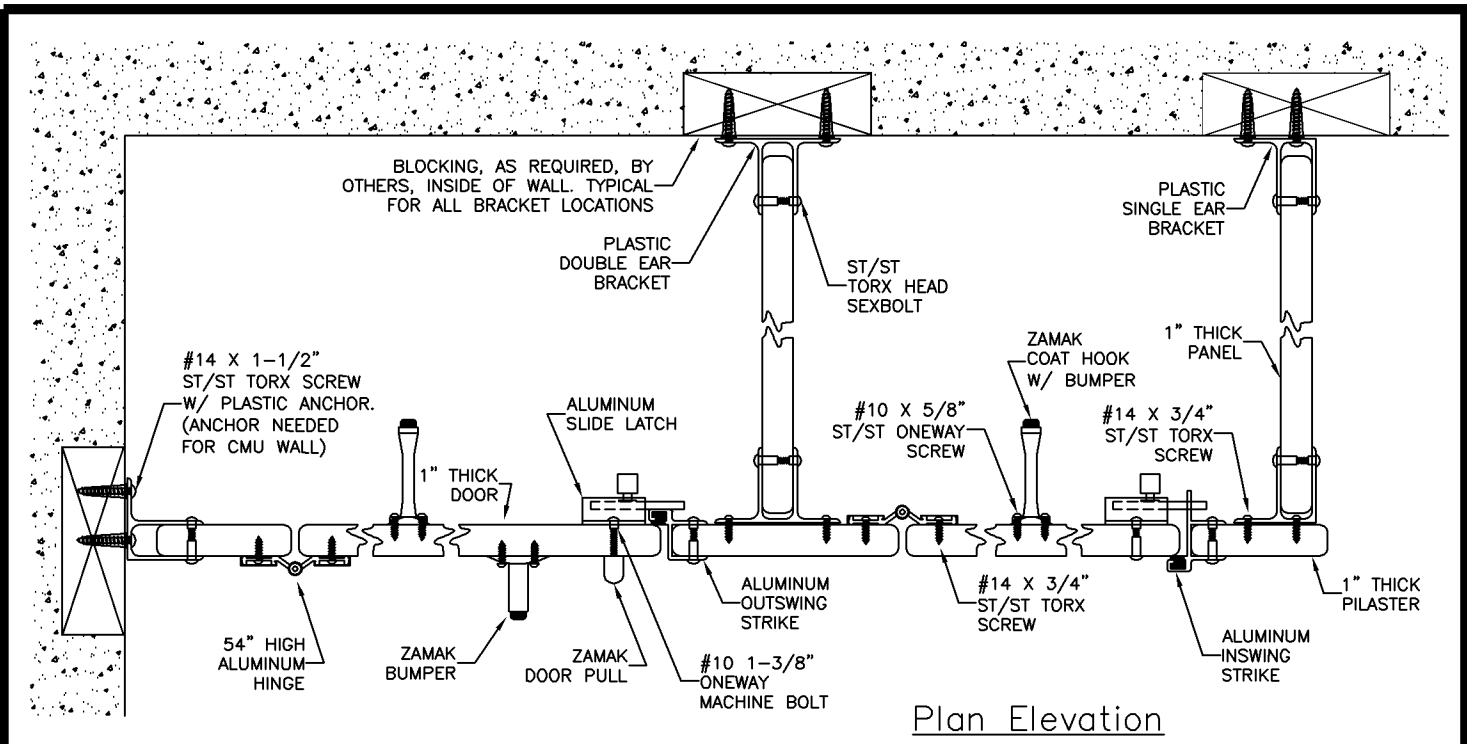
\* HEATSINC NOTE: Heatsinc is to be placed on the bottom of the panels & doors. (If specified)

Details



Floor Mount

Headrail Brace



**COMTEC / CAPITOL INDUSTRIES PARTITIONS**

600 WINFIELD AVE. SCRANTON, PA. 18507 1(800)-445-5148

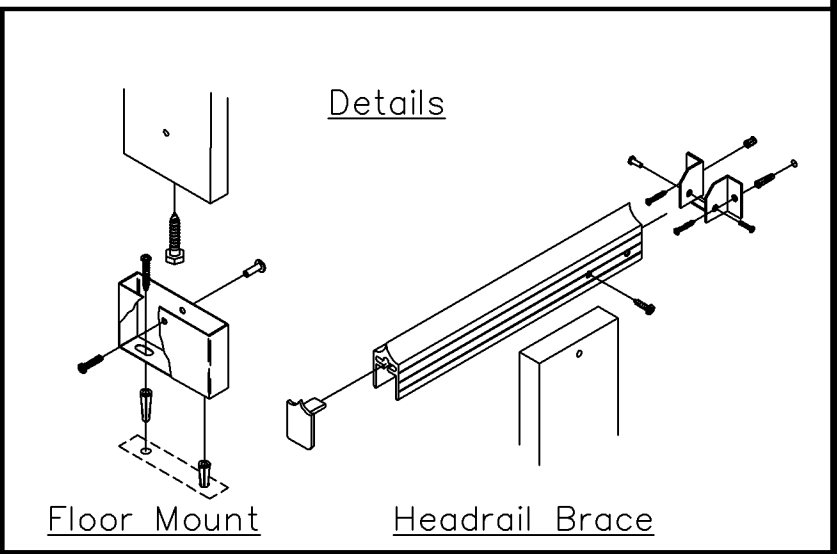
**STANDARD ELEVATIONS**  
(Drawings are not to scale)

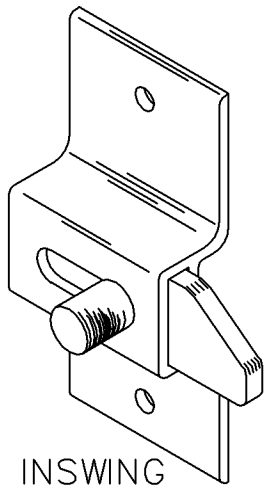
- \*Floor Mounted Overhead Braced
- \*54" Aluminum Hinge
- \*Continuous Plastic Brackets

**NOTE:**  
Only set to return to "Close" when activated.

**Note: "Job-Specific Specifications" for all orders are located on the top of the shop drawing layouts.**

*\* HEATSINC NOTE: Heatsinc is to be placed on the bottom of the panels & doors. (If specified)*

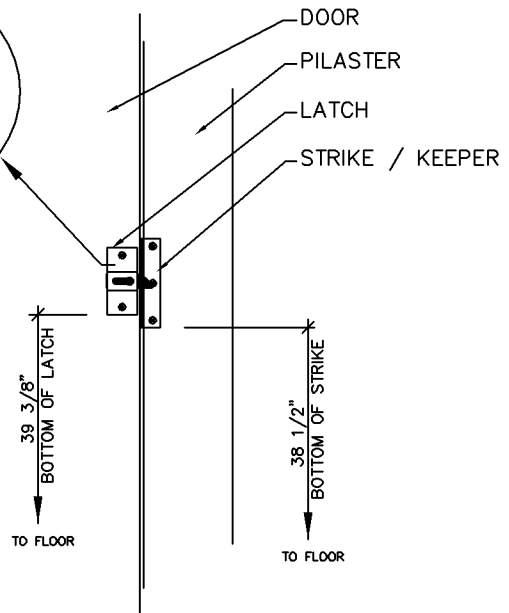
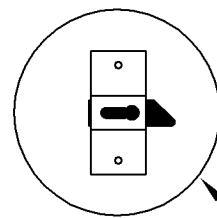




IN SWING

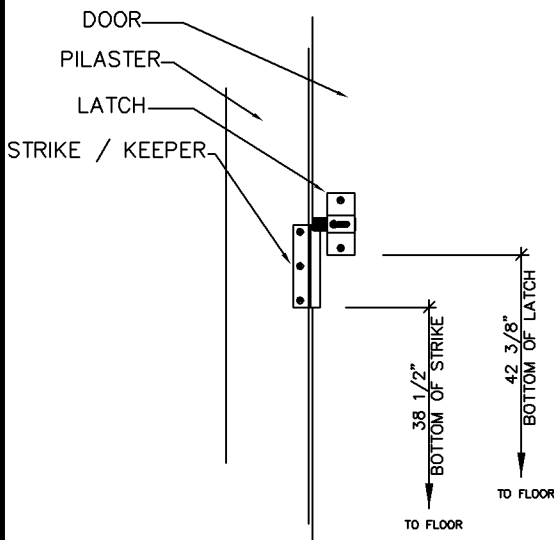
OPERATION

TO OPERATE THE EMERGENCY ACCESS LATCH ON THE IN SWING DOOR, FROM THE OUTSIDE OF THE STALL LIFT THE DOOR FROM THE BOTTOM WITH A QUICK JERKING MOTION, THIS WILL CAUSE THE SLIDE BAR OF THE LATCH TO HIT THE STRIKE / KEEPER AND SLIDE IT TO THE OPEN POSITION.



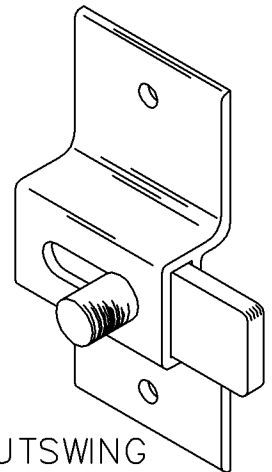
IN SWINGING DOOR

SCALE: NOT TO SCALE  
(VIEW FROM INSIDE OF THE STALL)



OUTSWINGING DOOR

SCALE: NOT TO SCALE  
(VIEW FROM INSIDE OF THE STALL)



OUT SWING

OPERATION

TO OPERATE THE EMERGENCY ACCESS LATCH ON THE OUTSWING DOOR YOU SIMPLY LIFT THE DOOR FROM THE OUTSIDE OF THE STALL AT THE BOTTOM AND PULL OUTWARD. THIS WILL CAUSE THE LATCH TO RIDE UP AND OVER THE STRIKE / KEEPER.

**COMTEC / CAPITOL PARTITIONS INDUSTRIES**

600 WINFIELD AVE. SCRANTON, PA. 18507 1(800)-445-5148

STANDARD ELEVATIONS

(Drawings are not to scale)

ELEVATIONS ILLUSTRATE IN AND OUTSWING

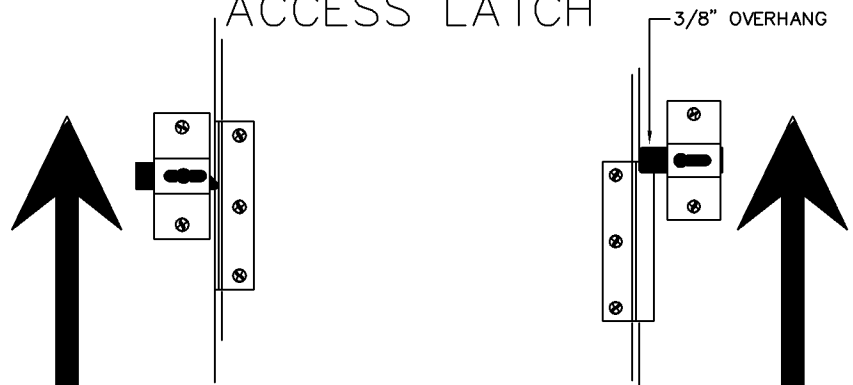
ALUM. EMERGENCY ACCESS

EMERGENCY ACCESS WORKS WITH THE FOLLOWING HINGES  
8" WRAP AROUND, 54" STS. HELIX HINGE, INTEGRAL HINGE,

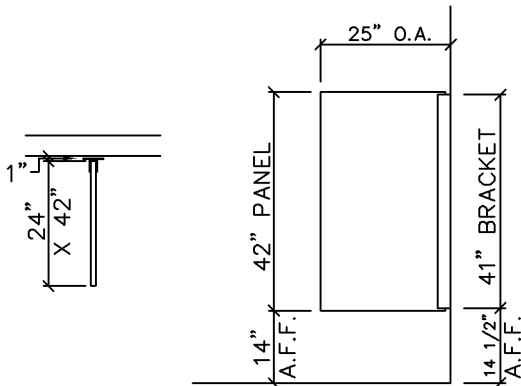
**Note: "Job-Specific Specifications" for all orders are located on the top of the shop drawing layouts.**

\* HEATSINC NOTE: Heatsinc is to be placed on the bottom of the panels & doors. (If specified)

ALUM. EMERGENCY ACCESS LATCH



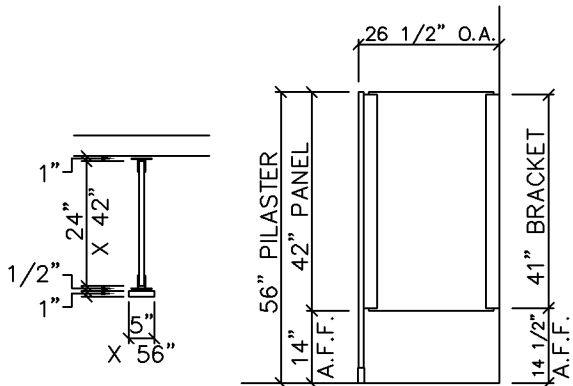
# 24" x 42" Urinal Screen Elevations



Type A

Check Box

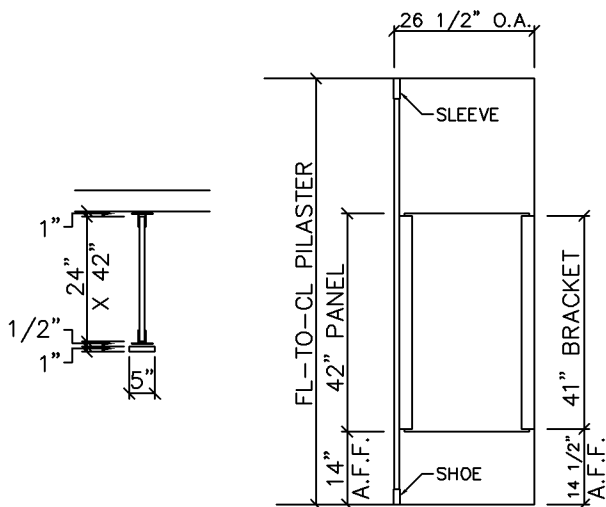
WALL HUNG



Type B

Check Box

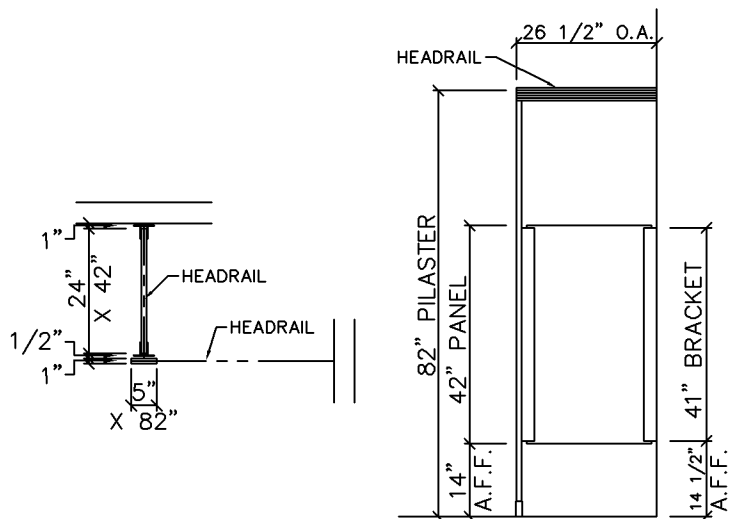
FLOOR SUPPORTED



Type C

Check Box

FLOOR TO CEILING



Type D

Check Box

HEADRAIL BRACED

**COMTEC / CAPITOL INDUSTRIES PARTITIONS**

600 WINFIELD AVE. SCRANTON, PA. 18507 1(800)-445-5148

**STANDARD ELEVATIONS**

(Drawings are not to scale)

\*Urinal Screens/ Privacy Screens

\*41" Continuous Brackets

**Note: "Job-Specific Specifications" for all orders are located on the top of the shop drawing layouts.**

\* HEATSINC NOTE: Heatsinc is to be placed on the bottom of the panels & doors. (If specified)

**PLEASE VERIFY:**

PLEASE CHECK ONE OF THE ABOVE BOXES FOR THE APPROPRIATE STYLE SCREEN YOU ARE REQUESTING.

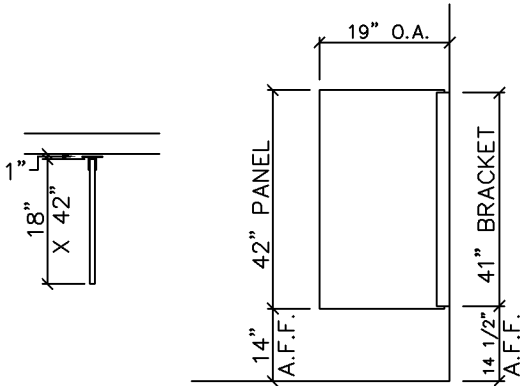
**NOTES:**

1. STANDARD SCREENS SIZES ARE 24" X 42" & 18" X 42" ALTHOUGH CUSTOM SIZES ARE AVAILBLE UPON REQUEST.

2. ANY SCREEN OVER 30" IS RECOMMENDED TO HAVE A FLOOR SUPPORTED PILASTER.

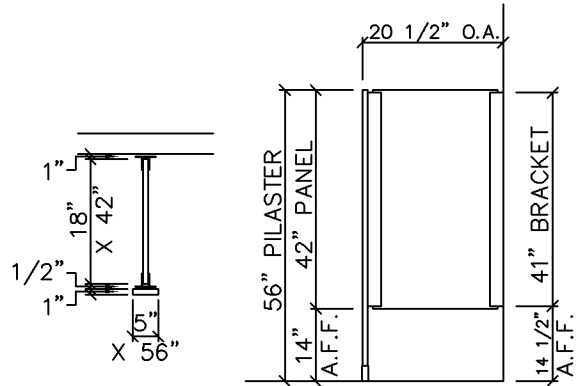
**CUSTOMER NOTES:**

# 18" x 42" Urinal Screen Elevations



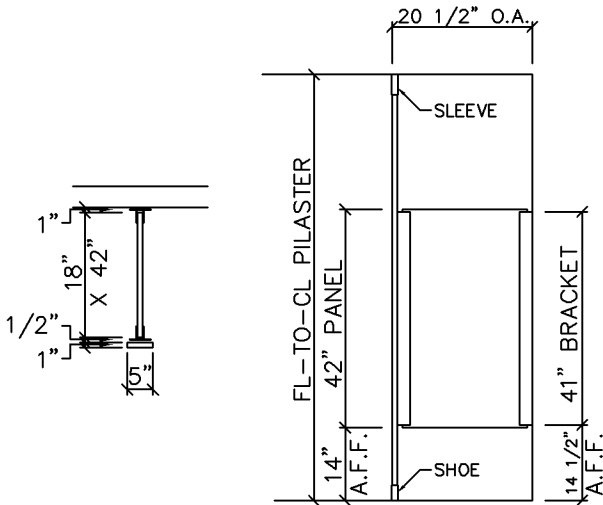
Type A  
Check Box

WALL HUNG



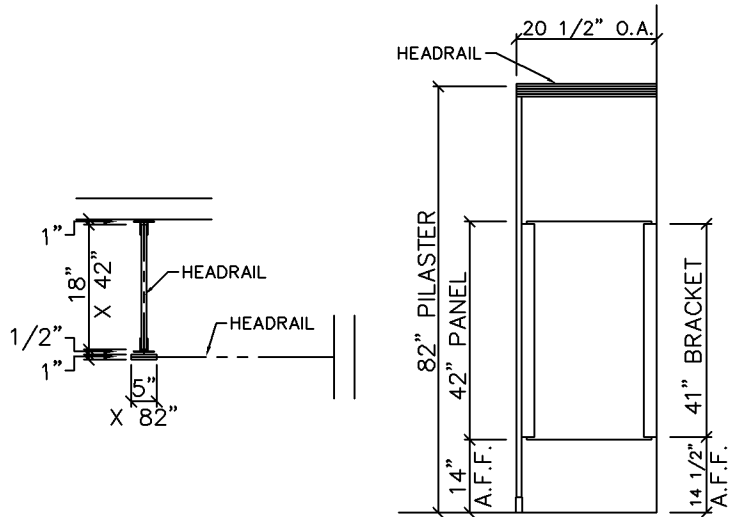
Type B  
Check Box

FLOOR SUPPORTED



Type C  
Check Box

FLOOR TO CEILING



Type D  
Check Box

HEADRAIL BRACED

**COMTEC / CAPITOL INDUSTRIES PARTITIONS**

600 WINFIELD AVE. SCRANTON, PA. 18507 1(800)-445-5148

PLEASE VERIFY:

PLEASE CHECK ONE OF THE ABOVE BOXES FOR THE APPROPRIATE STYLE SCREEN YOU ARE REQUESTING.

NOTES:

1. STANDARD SCREENS SIZES ARE 24" X 42" & 18" X 42" ALTHOUGH CUSTOM SIZES ARE AVAILBLE UPON REQUEST.
2. ANY SCREEN OVER 30" IS RECOMMENDED TO HAVE A FLOOR SUPPORTED PILASTER.

STANDARD ELEVATIONS

(Drawings are not to scale)

\*Urinal Screens/ Privacy Screens

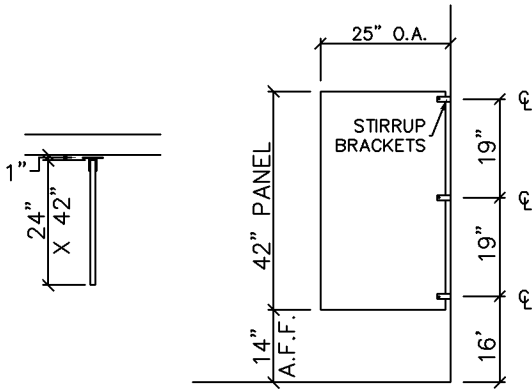
\*41" Continuous Brackets

**Note: "Job-Specific Specifications" for all orders are located on the top of the shop drawing layouts.**

CUSTOMER NOTES:

\* HEATSINC NOTE: Heatsinc is to be placed on the bottom of the panels & doors. (If specified)

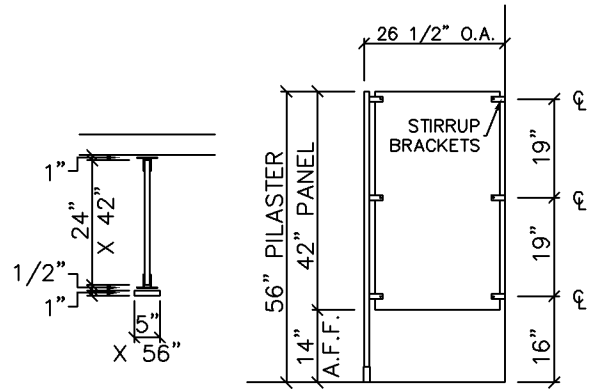
# 24" x 42" Urinal Screen Elevations



Type A

Check Box

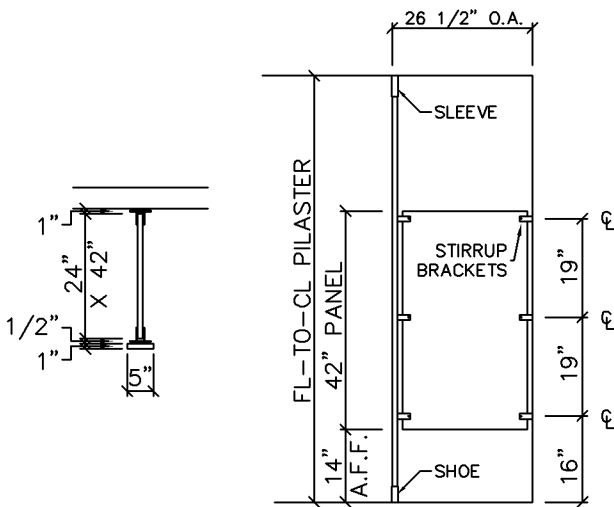
WALL HUNG



Type B

Check Box

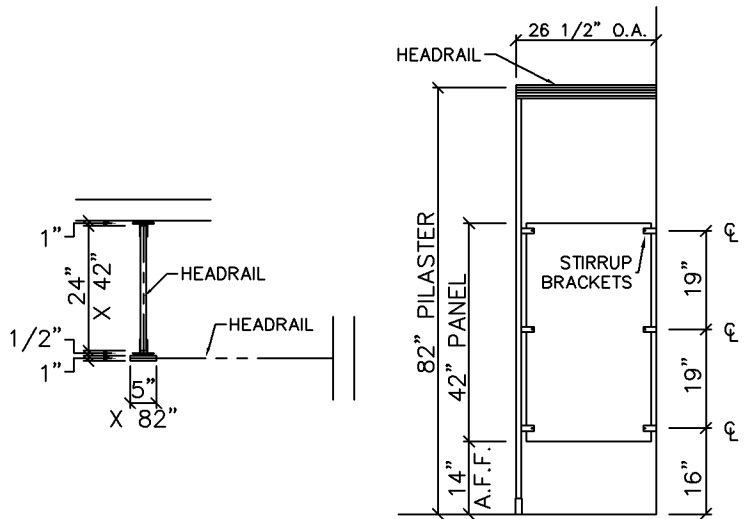
FLOOR SUPPORTED



Type C

Check Box

FLOOR TO CEILING



Type D

Check Box

HEADRAIL BRACED

**COMTEC / CAPITOL INDUSTRIES PARTITIONS**

600 WINFIELD AVE. SCRANTON, PA. 18507 1(800)-445-5148

**STANDARD ELEVATIONS**

(Drawings are not to scale)

- \*Urinal Screens/ Privacy Screens
- \*Stirrup Brackets

**Note: "Job-Specific Specifications" for all orders are located on the top of the shop drawing layouts.**

\* HEATSINC NOTE: Heatsinc is to be placed on the bottom of the panels & doors. (If specified)

**PLEASE VERIFY:**

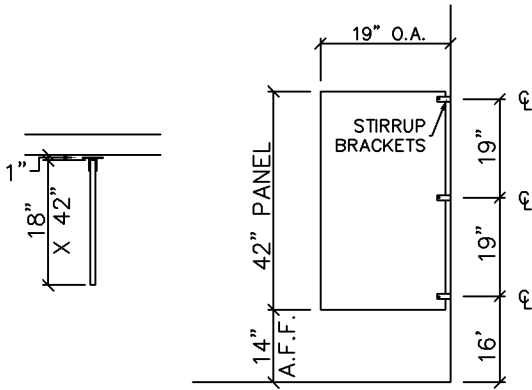
PLEASE CHECK ONE OF THE ABOVE BOXES FOR THE APPROPRIATE STYLE SCREEN YOU ARE REQUESTING.

**NOTES:**

1. STANDARD SCREENS SIZES ARE 24" X 42" & 18" X 42" ALTHOUGH CUSTOM SIZES ARE AVAILBLE UPON REQUEST.
2. ANY SCREEN OVER 30" IS RECOMMENDED TO HAVE A FLOOR SUPPORTED PILASTER.

**CUSTOMER NOTES:**

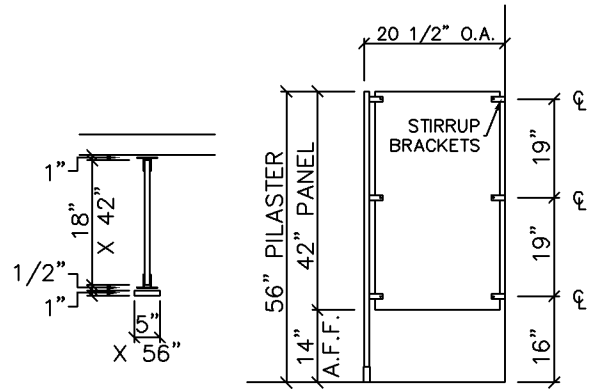
# 18" x 42" Urinal Screen Elevations



Type A

Check Box

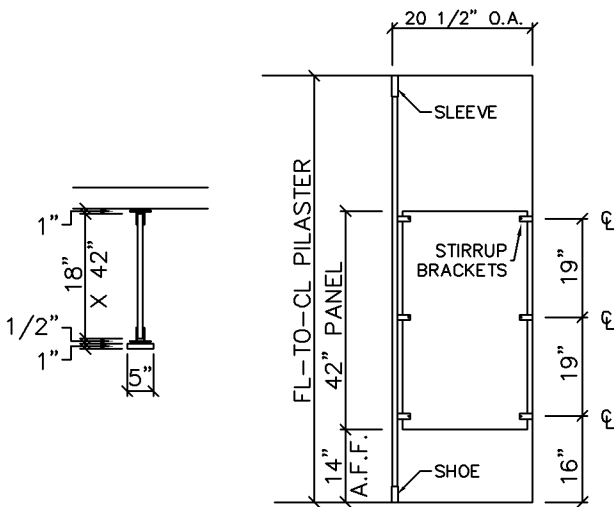
WALL HUNG



Type B

Check Box

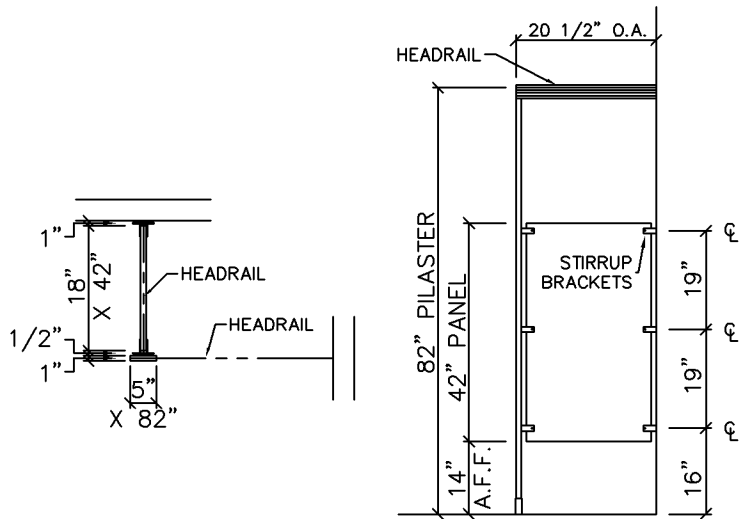
FLOOR SUPPORTED



Type C

Check Box

FLOOR TO CEILING



Type D

Check Box

HEADRAIL BRACED

**COMTEC / CAPITOL INDUSTRIES PARTITIONS**

600 WINFIELD AVE. SCRANTON, PA. 18507 1(800)-445-5148

**STANDARD ELEVATIONS**

(Drawings are not to scale)

- \*Urinal Screens/ Privacy Screens
- \*Stirrup Brackets

**Note: "Job-Specific Specifications" for all orders are located on the top of the shop drawing layouts.**

\* HEATSINC NOTE: Heatsinc is to be placed on the bottom of the panels & doors. (If specified)

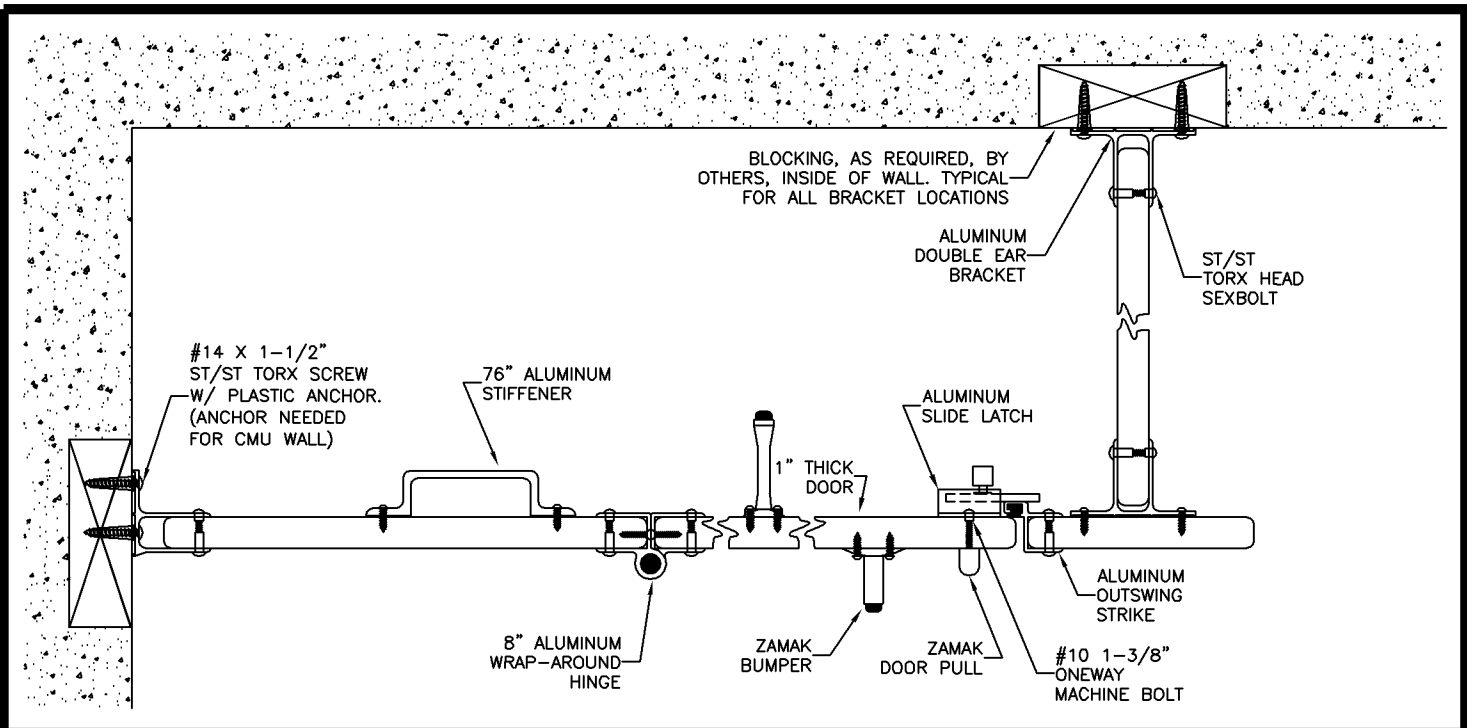
**PLEASE VERIFY:**

PLEASE CHECK ONE OF THE ABOVE BOXES FOR THE APPROPRIATE STYLE SCREEN YOU ARE REQUESTING.

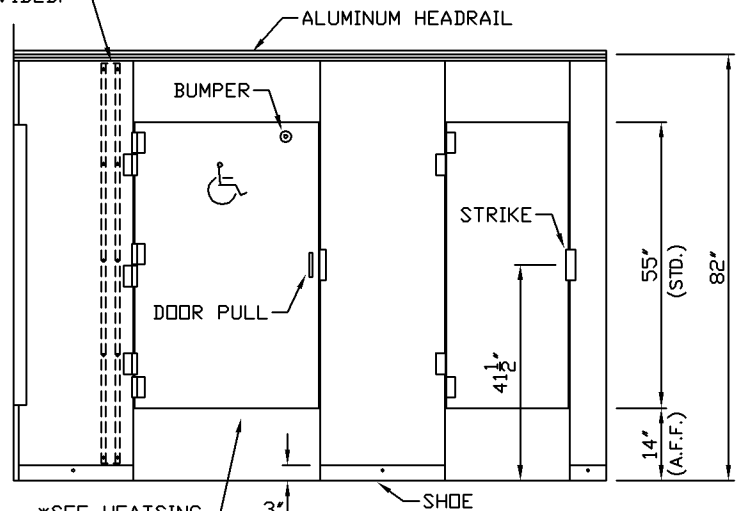
**NOTES:**

1. STANDARD SCREENS SIZES ARE 24" X 42" & 18" X 42" ALTHOUGH CUSTOM SIZES ARE AVAILBLE UPON REQUEST.
2. ANY SCREEN OVER 30" IS RECOMMENDED TO HAVE A FLOOR SUPPORTED PILASTER.

**CUSTOMER NOTES:**



76"STIFFENER PLACED AS CLOSE TO THE HINGE SIDE OF THE INDICATED PILASTER ON THE INSIDE OF THE STALL. FASTENED WITH 3/4" TORX SCREWS AS PROVIDED.



Front Elevation

THE 76"STIFFENER IS USED TO PROVIDE ADDED SUPPORT TO THE PILASTER FOR USE WITH LARGER HANDICAP DOORS. THE LOCATION IS NOTED ON THE SHOP DRAWINGS.

**COMTEC / CAPITOL PARTITIONS INDUSTRIES**

600 WINFIELD AVE. SCRANTON, PA. 18507 1(800)-445-5148

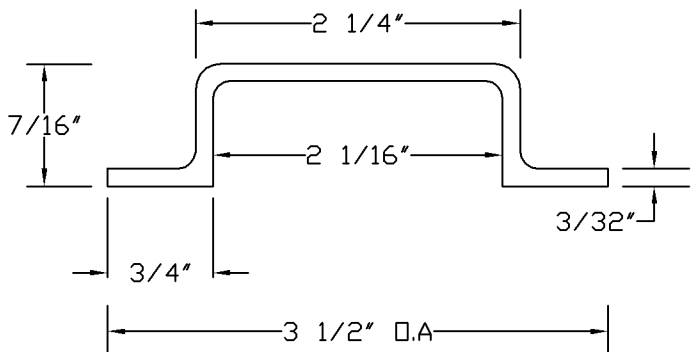
**STANDARD ELEVATIONS**

(Drawings are not to scale)

ELEVATIONS SHOW 76" ALUMINUM STIFFENER FAILURE TO INSTALL WILL CAUSE EXCESSIVE BOWING DUE TO THE WEIGHT OF THE DOOR

**Note: "Job-Specific Specifications" for all orders are located on the top of the shop drawing layouts.**

\* HEATSINC NOTE: Heatsinc is to be placed on the bottom of the panels & doors. (If specified)



**NOTE:**

Shown is the 76" aluminum stiffener with a bright dipped anodized finish.